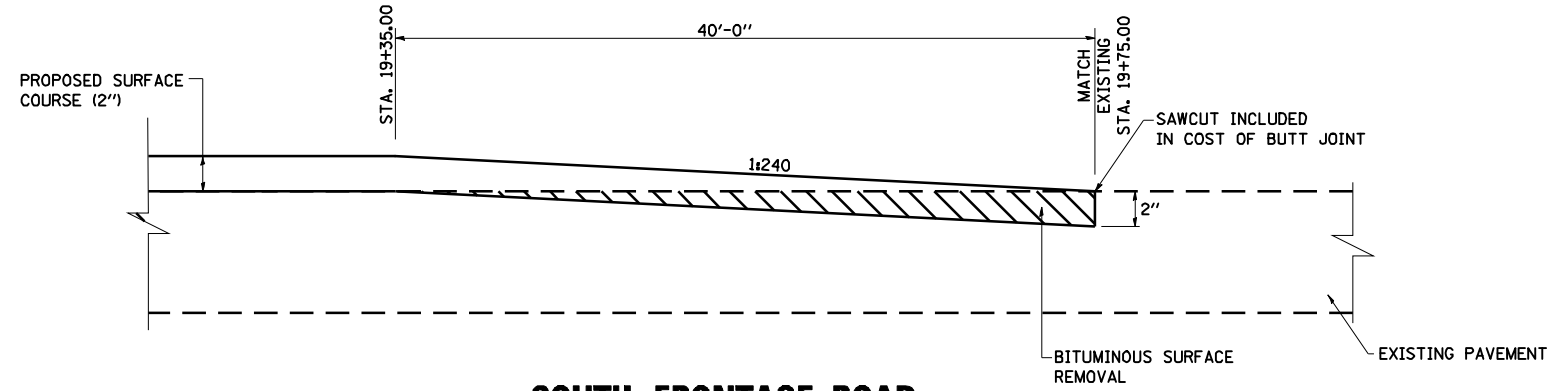
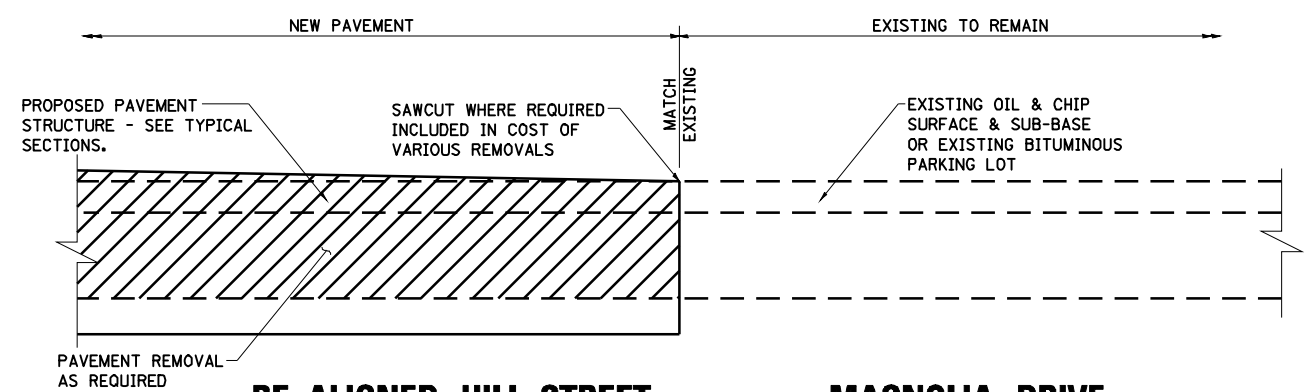
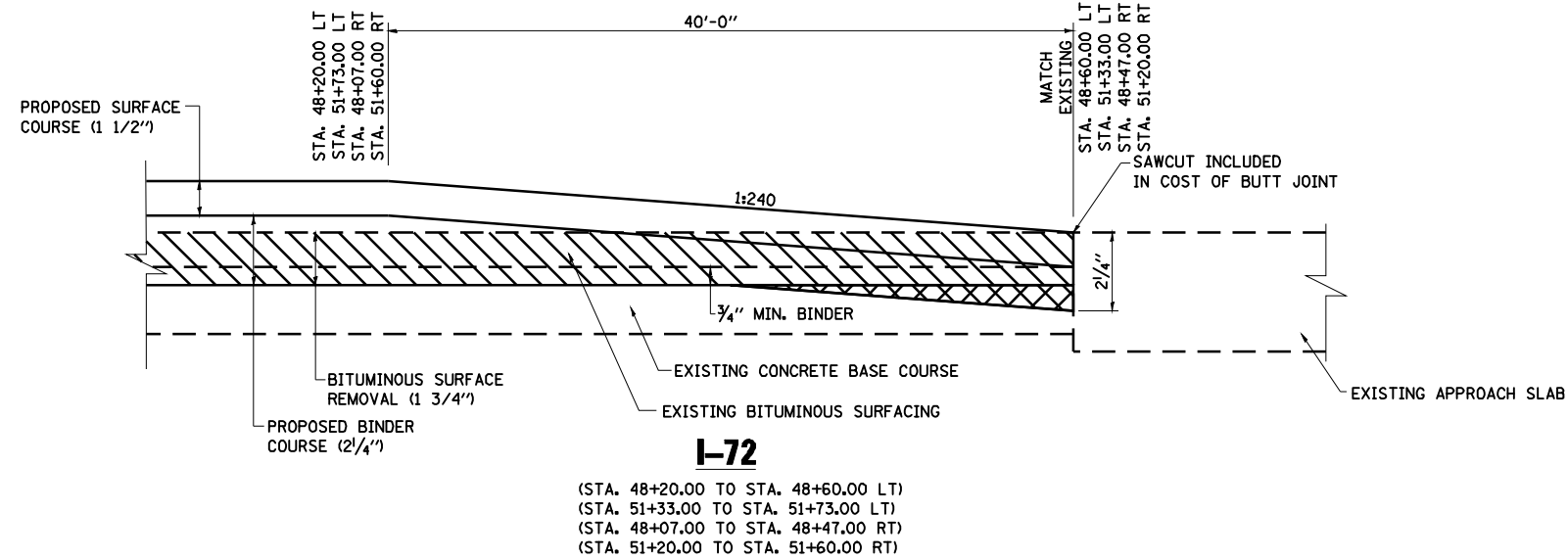
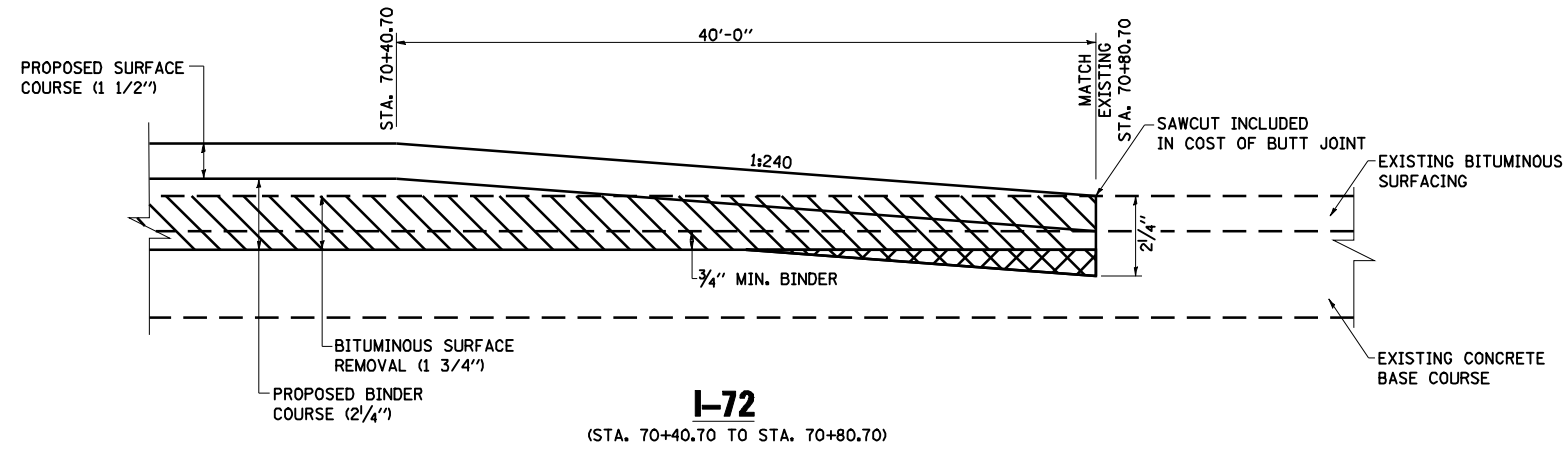


• F.A.I. 72, F.A.P. 67, F.A.P. 75 & F.A.P. 668
 ** D-6 SPFLD-CLRLAKE DIRKSEN 2002

F.A.P. RTE.	SECTION	COUNTY	TOTAL SHEETS	SHEET NO.
*	**	SANGAMON	363	219
STA.		TO STA.		
FED. ROAD DIST. NO.	ILLINOIS	FED. AID PROJECT		
CONTRACT NO. 72088				



RE-ALIGNED HILL STREET
(STA. 24+84.00)

MAGNOLIA DRIVE
(STA. 100+73.86)

SOUTH FRONTAGE ROAD
(STA. 19+35.00 TO STA. 19+75.00)

NORTH FRONTAGE ROAD
(STA. 0+00.00 & STA. 9+87.19)

COLBY AVE
(STA. 0+84.97)

SOUTH FRONTAGE ROAD
(STA. 9+38.34 & STA. 17+36.00)

HARDEE'S ENTRANCE
(STA. 4+23.75)

K-MART ENTRANCE
(STA. 1+17.07)

K-MART / WALGREENS ENTRANCE
(STA. 102+06.42)

SHEET 2 OF 2

REVISIONS	
NAME	DATE

ILLINOIS DEPARTMENT OF TRANSPORTATION

BUTT JOINT DETAILS

SCALE: NONE
 DATE 08/05
 DRAWN BY NJV
 CHECKED BY SJK