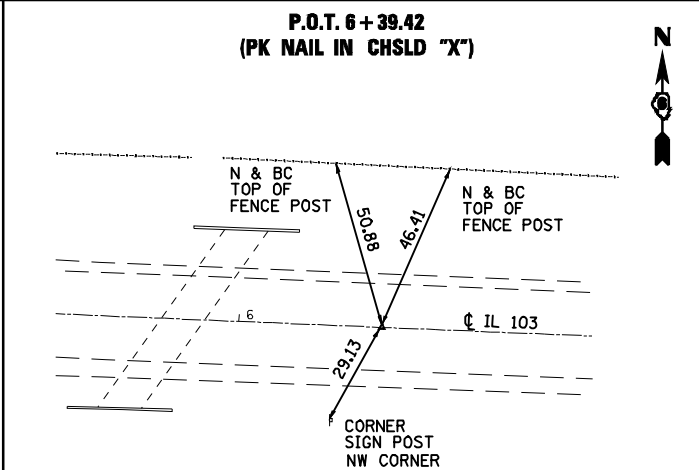
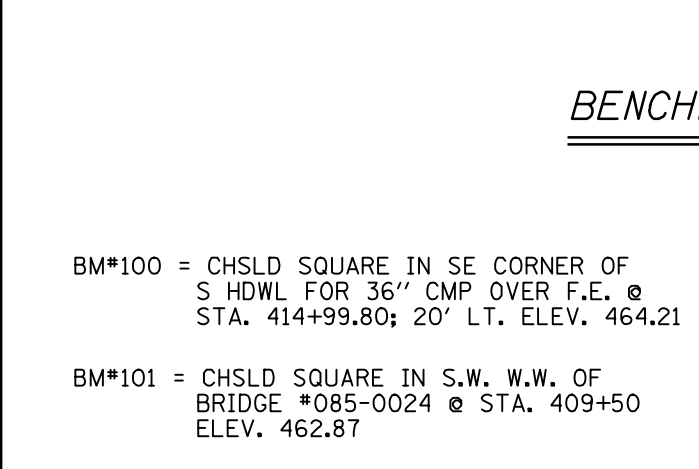
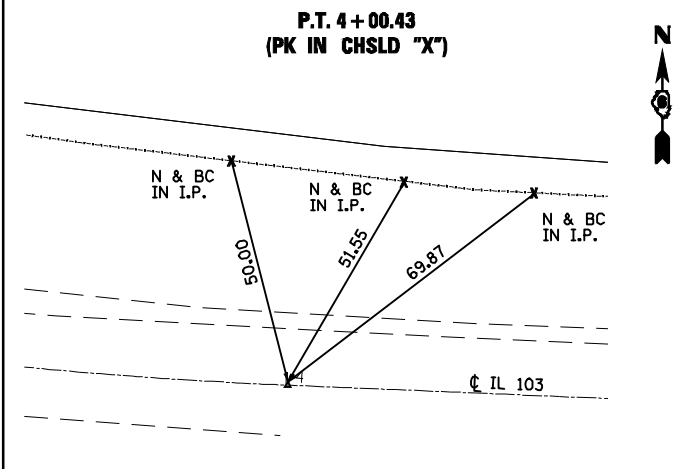
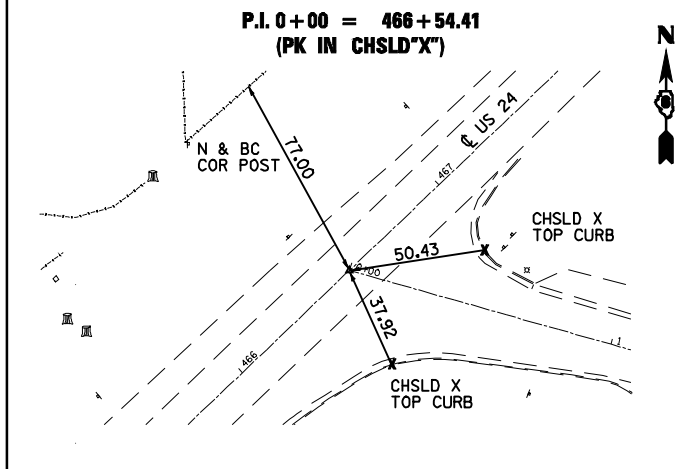
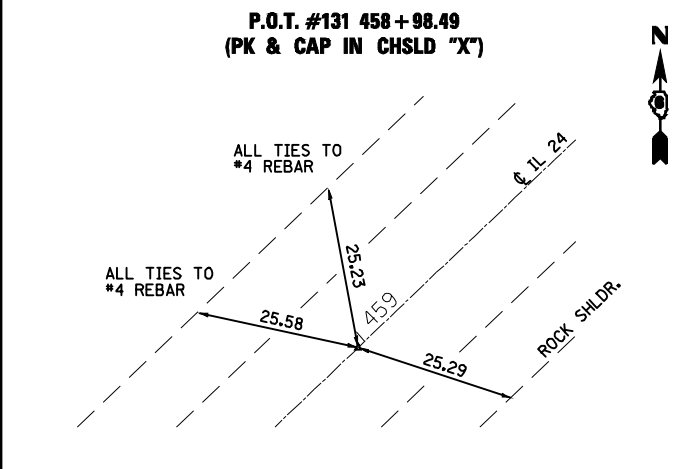
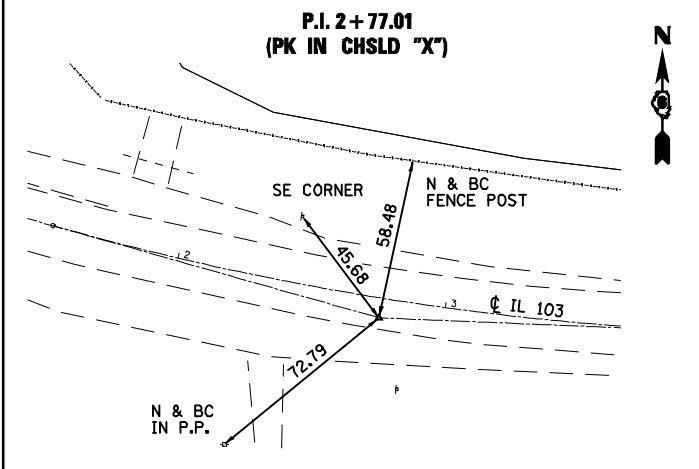
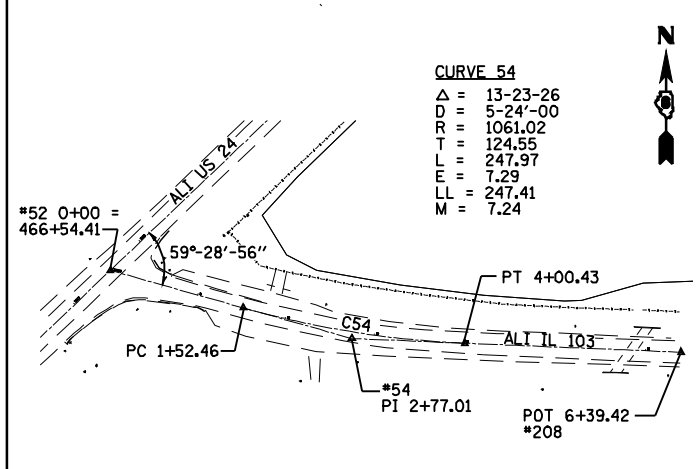
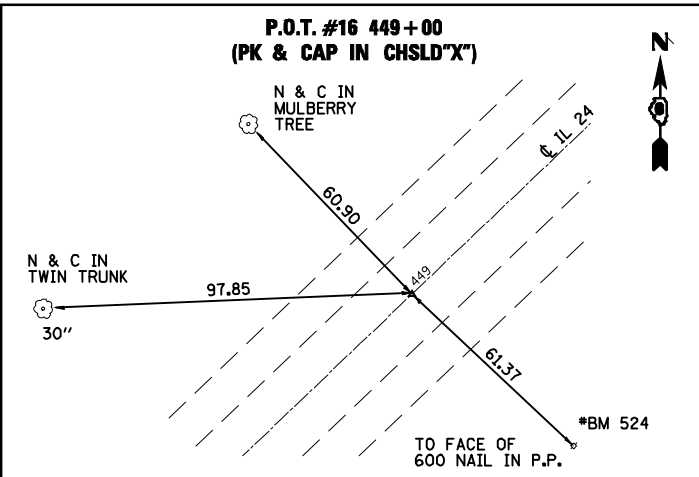
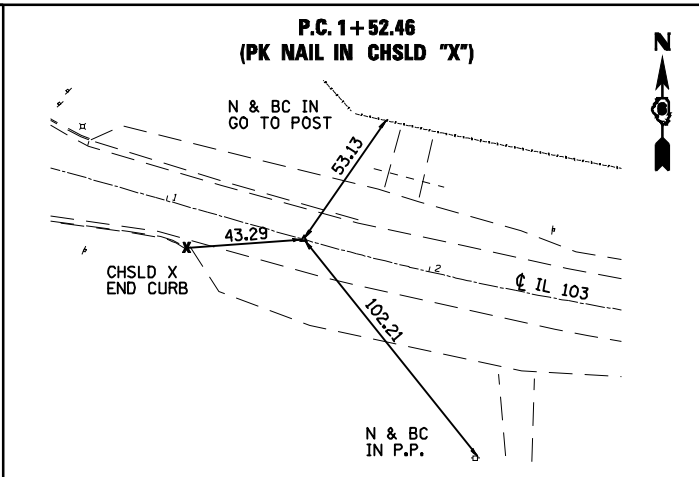
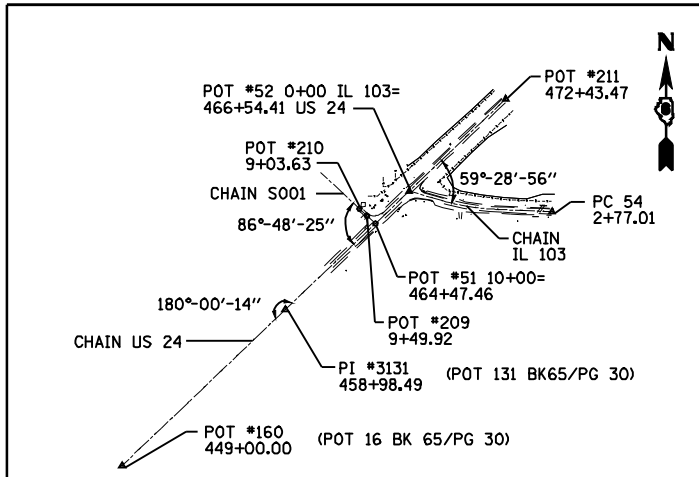


F.A.P. RTE.	SECTION	COUNTY	TOTAL SHEETS	SHEET NO.
317	*	**	196	27
STA.		TO STA.		
FED. ROAD DIST. NO.	ILLINOIS	FED. AID PROJECT		
* 9RS-4,(10,11)RS-3; (10B-1)R ** BROWN & SCHUYLER COUNTIES				



BENCHMARKS

- BM#100 = CHSLD SQUARE IN SE CORNER OF S HDWL FOR 36" CMP OVER F.E. @ STA. 414+99.80; 20' LT. ELEV. 464.21
- BM#101 = CHSLD SQUARE IN S.W. W.W. OF BRIDGE #085-0024 @ STA. 409+50 ELEV. 462.87
- BM#102 = SPIKE NAIL IN P.P. @ STA. 405+62.30; 33.5 RT. ELEV. 457.23
- BM#200 = SET 60D SPIKE NAIL IN LIGHT POLE ON THE EAST SIDE OF US 24 @ INTERSECTION OF US 24 AND IL 103. NAVD 88 = 462.059
- BM#201 = SET CHSLD SQUARE IN CENTER OF EAST H.W. OF DIRT F.E. @ 0.2 MILE FROM US 24 & IL 103 INTERSECTION. NAVD 88 = 460.649
- BM#202 = FOUND CHSLD SQUARE IN SOUTH END OF WEST H.W. OF A DIRT F.E. @ 0.50 MILE FROM US 24 AND IL 103 INTERSECTION. NAVD 88 = 464.409
- BM#203 = SET CHSLD SQUARE IN EAST END OF SOUTH H.W. OF BOX CULVERT #085+2010 @ 0.65 MILE FROM US 24 AND IL 103 INTERSECTION. NAVD 88 = 454.374

REVISIONS	
NAME	DATE

ILLINOIS DEPARTMENT OF TRANSPORTATION
BENCHMARKS & CROSS TIES
 FAP ROUTE 317 (US 24)
 SECT. 9RS-4,(10,11)RS-3;(10B-1)R
 BROWN & SCHUYLER COUNTIES

SCALE: VERT. _____
 HORIZ. _____
 DATE _____ DRAWN BY _____
 CHECKED BY _____