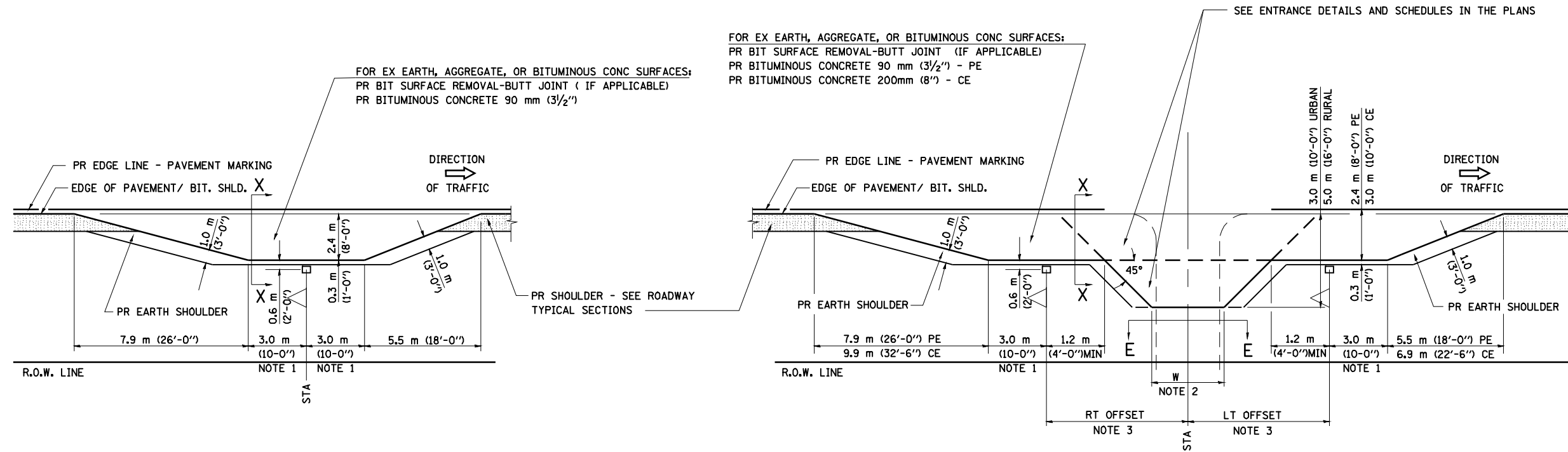
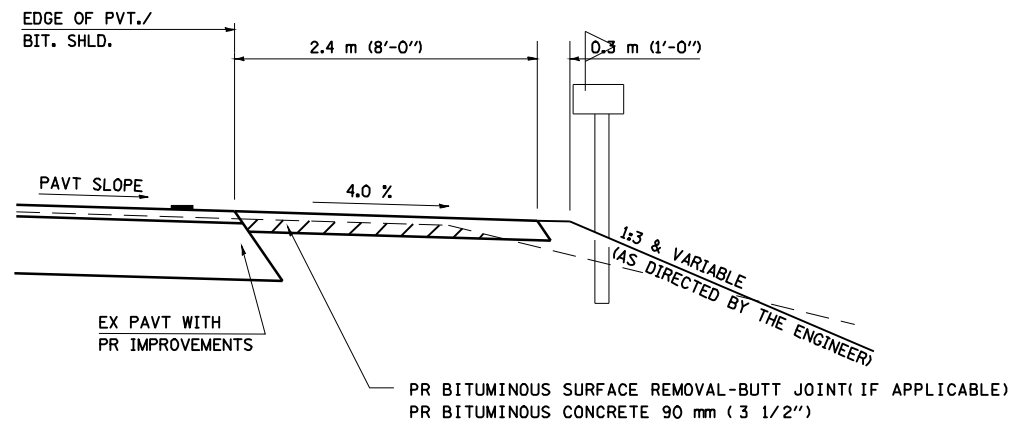


DETAILS OF MAILBOX TURNOUTS



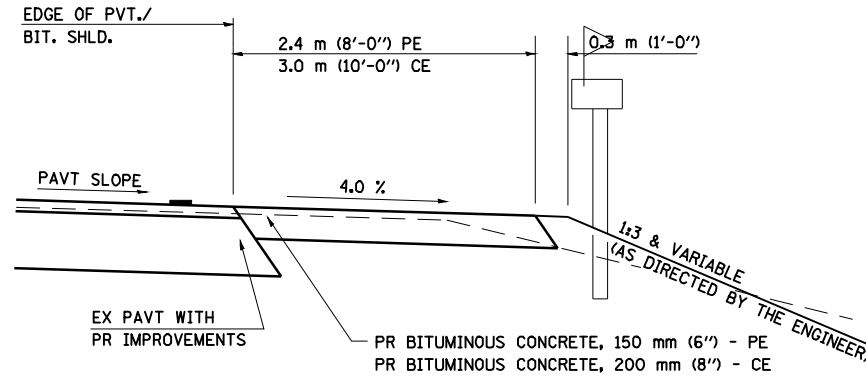
PLAN - MAILBOX TURNOUTS

PLAN - COMBINED MAILBOX TURNOUT WITH TRAILING OR LEADING ENTRANCE



**SECTION X-X THRU MAILBOX TURNOUT
ALSO APPLIES TO MAILBOX TURNOUTS COMBINED WITH
EX EARTH, AGGREGATE, OR BITUMINOUS PE & FE**

(DETAIL APPLIES WHEN M.B. TURNOUT DOES NOT EXIST.
IF EXISTING, TREAT SAME AS ENTRANCE.)



**SECTION X-X THRU MAILBOX TURNOUT
COMBINED WITH EX BITUMINOUS CONC & PC CONC PE & CE**

(DETAIL APPLIES WHEN M.B. TURNOUT DOES NOT EXIST.
IF EXISTING, TREAT SAME AS ENTRANCE.)

- NOTE 1 IF MORE THAN ONE MAILBOX IS PRESENT, DIMENSION FROM CENTER OF END MAILBOX.
- NOTE 2 FOR ENTRANCE LAYOUT DIMENSIONS AND SECTIONS A-A & E-E REFER TO THE SCHEDULES IN THE PLANS.
- NOTE 3 BOTH LT OR RT OFFSETS FOR MAILBOX SHOWN USE OFFSET DIMENSION PER SCHEDULE AND REFER TO LAYOUT SHOWN ON THE PLAN.

ALL DIMENSIONS ARE IN MILLIMETERS (INCHES)
UNLESS OTHERWISE SHOWN.

FILE NAME =	USER NAME = laughlinr1	DESIGNED -	REVISED - 2/19/03 JCN
es:\pwork\pwork\LAUGHLINRL\dms20637\0672432-shit-detail.dgn		DRAWN - CADD	REVISED - 4/01/04 JCN
		CHECKED - JCN	REVISED -
		DATE - FEBRUARY 23, 1999	REVISED -

**STATE OF ILLINOIS
DEPARTMENT OF TRANSPORTATION**

**DIST. 6 DETAILS FOR RURAL/URBAN ENT., MAILBOX
TURNOUT & SIDEROADS W/O CONC. GUTTER (3P-PROJ.)**

SCALE: SHEET NO. 2 OF 3 SHEETS STA. TO STA.

F.A.P. RTE.	SECTION	COUNTY	TOTAL SHEETS	SHEET NO.
317	.	**	196	35
CONTRACT NO. 72432				
FED. ROAD DIST. NO. ILLINOIS FED. AID PROJECT				

• 9RS-4,(10,11)RS-3; (10B-1)R
•• BROWN & SCHUYLER COUNTIES