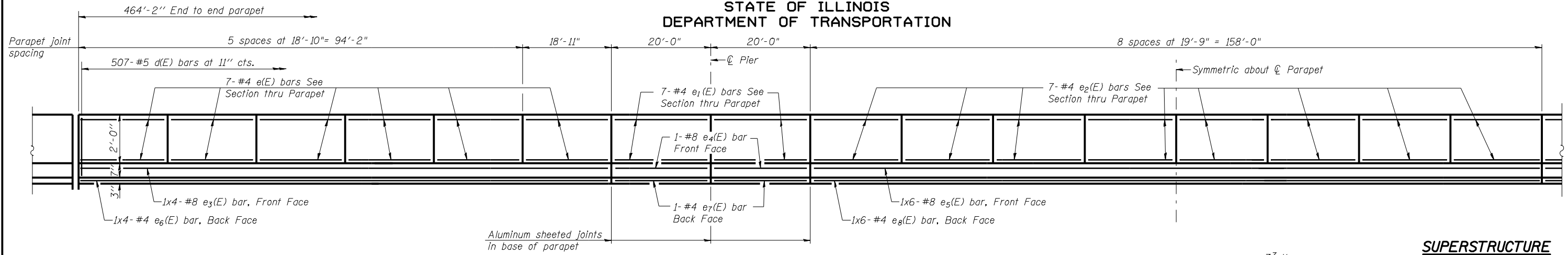
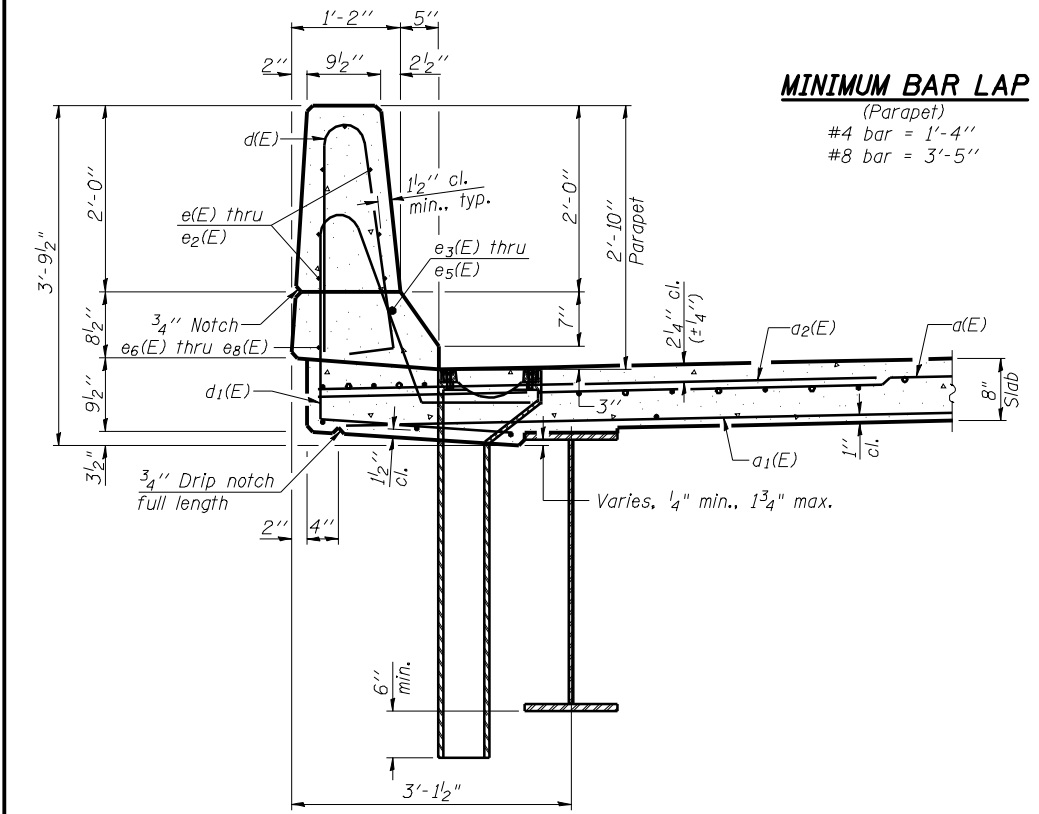


STATE OF ILLINOIS  
DEPARTMENT OF TRANSPORTATION

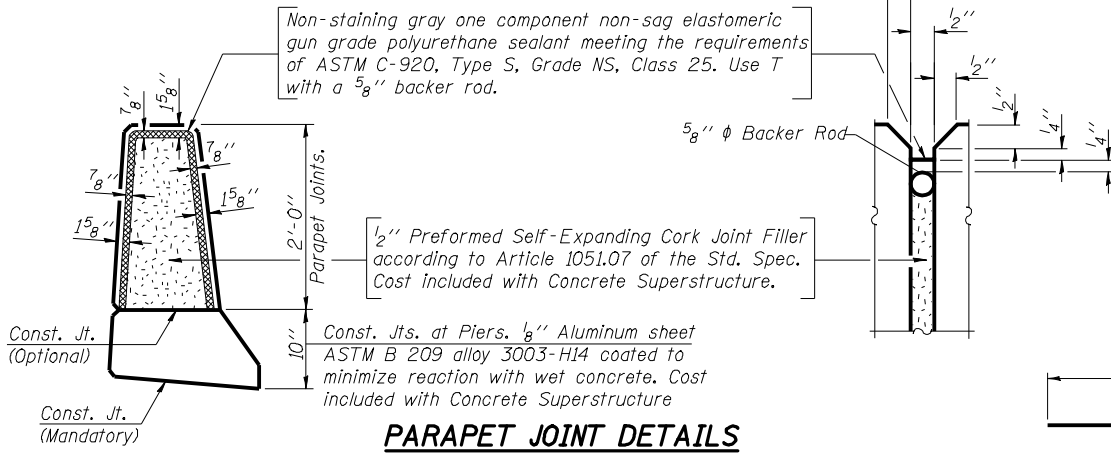


**INSIDE ELEVATION OF PARAPET**  
(Dimensions measured along inside face of parapet)

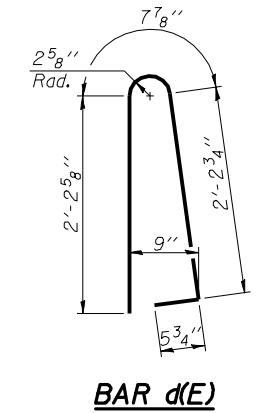


**SECTION THRU PARAPET**

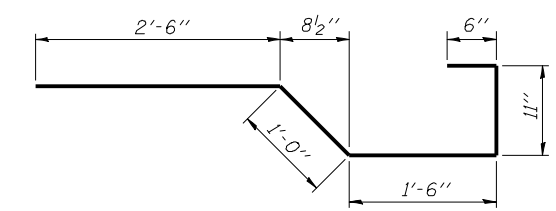
**MINIMUM BAR LAP**  
(Parapet)  
#4 bar = 1'-4"  
#8 bar = 3'-5"



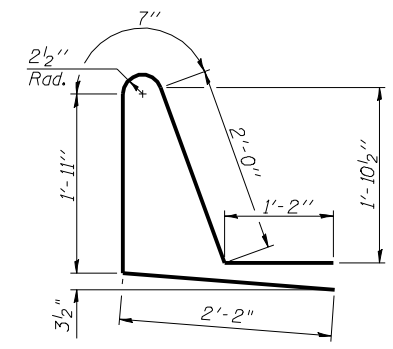
**PARAPET JOINT DETAILS**



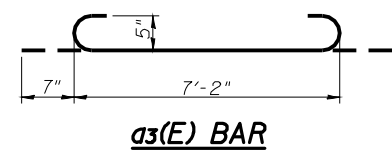
**BAR d(E)**



**BAR x(E)**

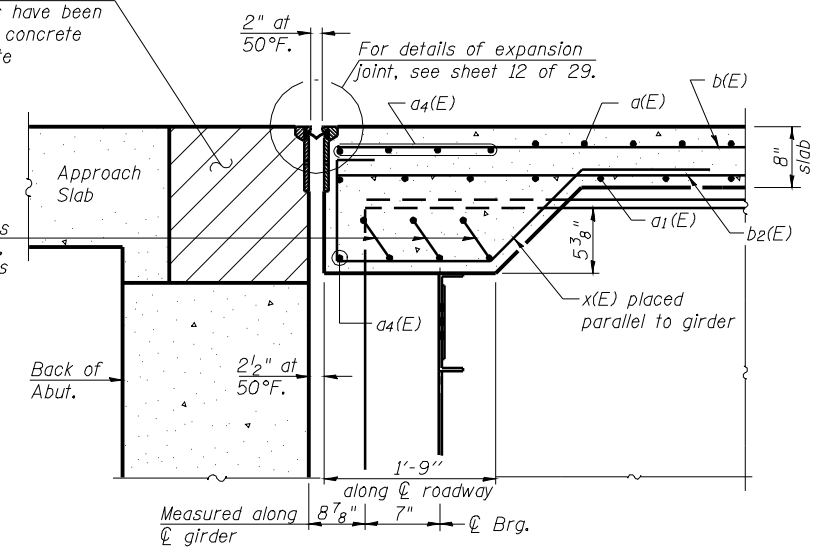


**BAR d1(E)**



**a3(E) BAR**

Hatched area to be poured after superstructure forms have been removed. Quantity of concrete included with Concrete Superstructure.



**SECTION A-A**

**SUPERSTRUCTURE  
BILL OF MATERIAL**

Bar	No.	Size	Length	Shape
a(E)	697	#5	38'-7"	—
a1(E)	558	#5	37'-10"	—
a2(E)	698	#6	6'-0"	—
a3(E)	30	#5	8'-4"	—
a4(E)	10	#5	42'-10"	—
a5(E)	32	#5	1'-6"	—
b(E)	672	#5	30'-7"	—
b1(E)	234	#6	32'-6"	—
b2(E)	612	#5	28'-11"	—
d(E)	1014	#5	5'-7"	—
d1(E)	1014	#5	7'-10"	—
e(E)	168	#4	18'-6"	—
e1(E)	56	#4	19'-8"	—
e2(E)	112	#4	19'-5"	—
e3(E)	16	#8	30'-10"	—
e4(E)	8	#8	19'-8"	—
e5(E)	12	#8	29'-2"	—
e6(E)	16	#4	29'-3"	—
e7(E)	8	#4	19'-8"	—
e8(E)	12	#4	27'-5"	—
x(E)	68	#5	6'-5"	—
Reinforcement Bars, Epoxy Coated			Pound	130660
Concrete Superstructure			Cu. Yds.	595.7

Bars indicated thus 1 x 6 - #8 etc. indicates 1 line of bars with 6 lengths per line.

**SUPERSTRUCTURE DETAILS  
STRUCTURE NO. 005-0500**

<p>LIN ENGINEERING, LTD. Consulting Engineers Chatham, Illinois</p>	SHEET NO. 9	F.A.P. RTE. 317	SECTION (10B-1)R	COUNTY BROWN/SCHUYLER	TOTAL SHEETS 196	SHEET NO. 128
	29 SHEETS	CONTRACT NO. 72432		ILLINOIS FED. AID PROJECT		