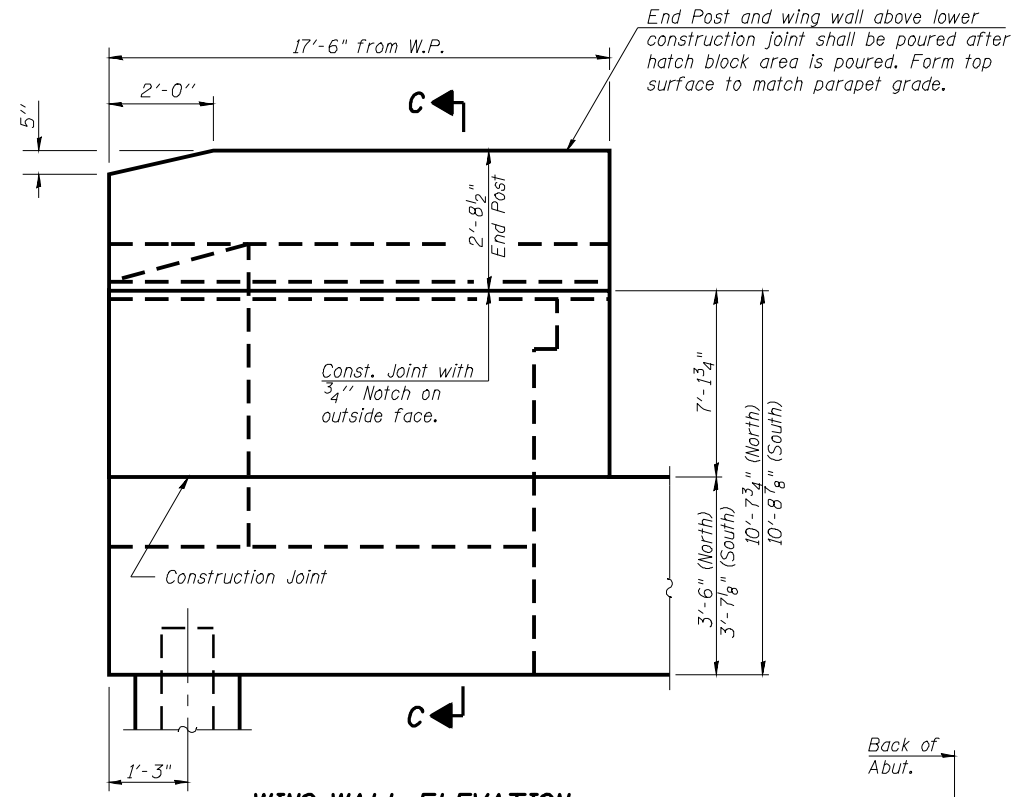
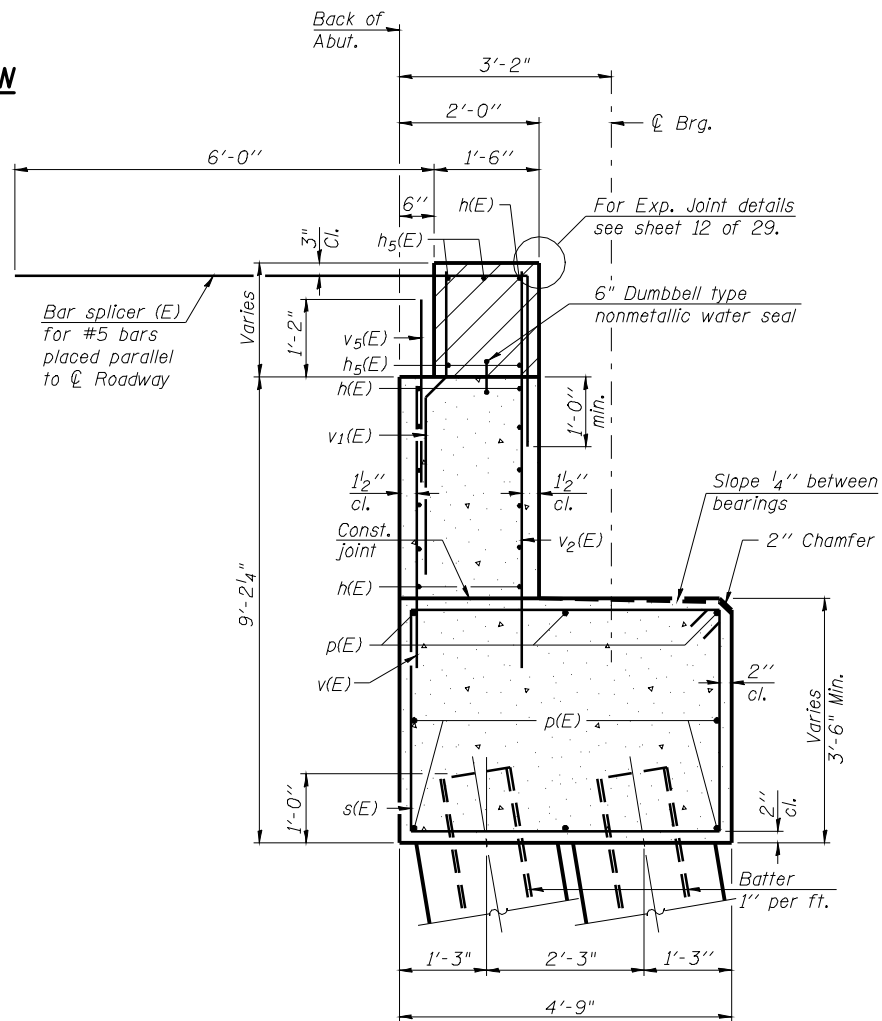


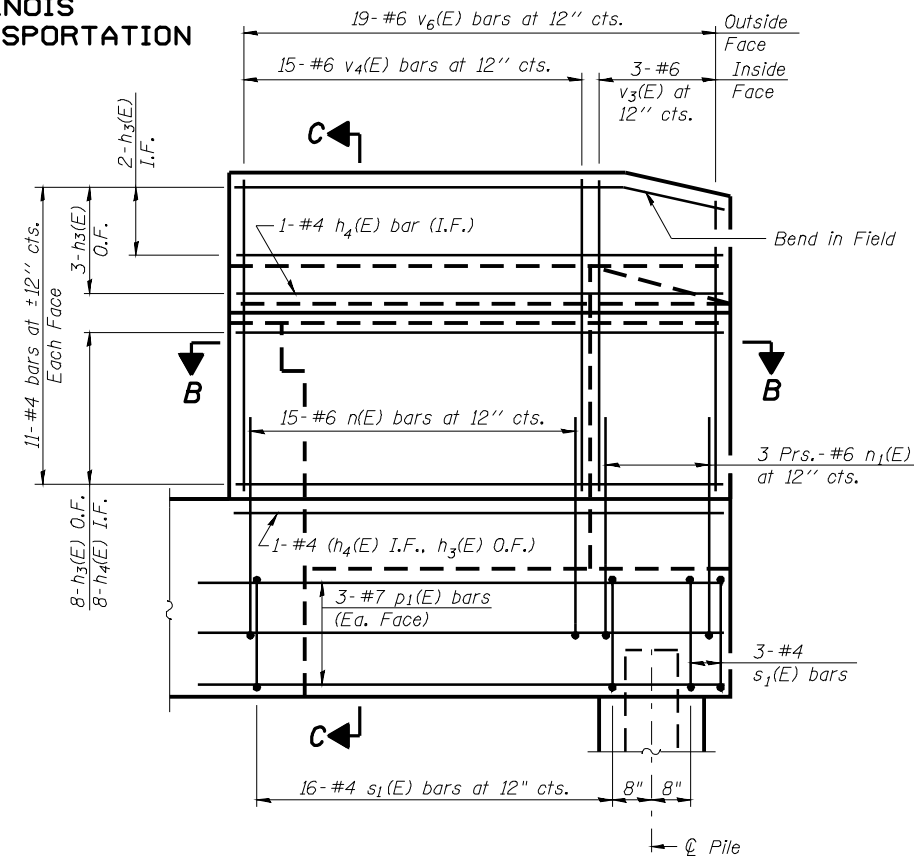
STATE OF ILLINOIS  
DEPARTMENT OF TRANSPORTATION



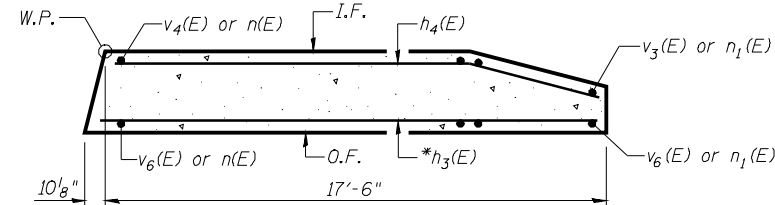
**WING WALL ELEVATION**  
Showing Dimensions



**SEC. THRU ABUT.**  
(At Rt. L's to Abut.)



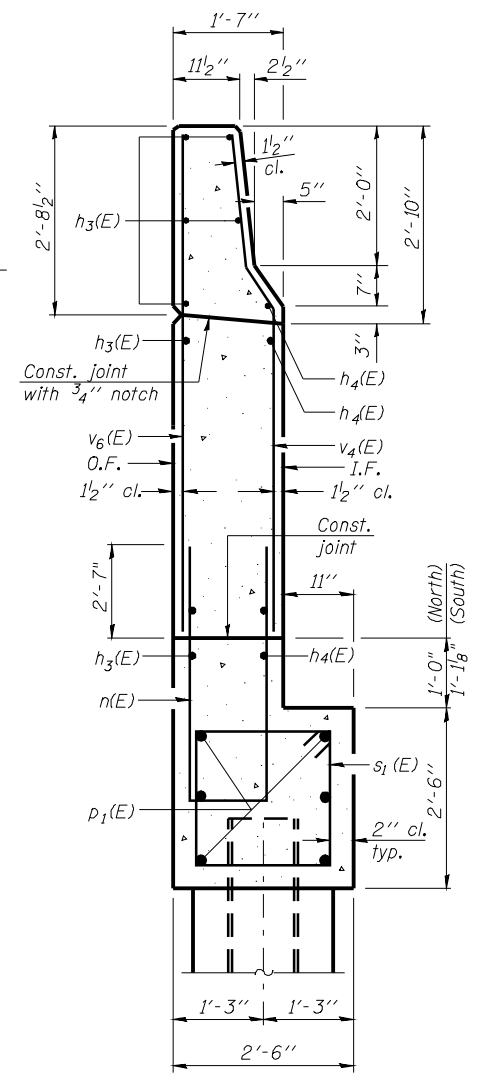
**WING WALL ELEVATION**  
Showing Reinforcement



**SECTION B-B**

(North Wing shown, South similar)

\*Cut to fit at South wall



**SECTION C-C**

Notes:

- Hatched area to be poured after superstructure false work has been removed. Quantity of concrete included with Concrete Superstructure.
- Space reinforcement in cap to miss anchor bolts.
- Pour steps monolithically with cap.
- Quantity of concrete in end post included with Concrete Superstructure on sheet 9 of 29.
- For Concrete Encasement details, see sheet 25 of 29.
- Work this sheet with sheet 18 of 29.

**WEST ABUTMENT DETAILS**  
**STRUCTURE NO. 005-0500**

<p>LIN ENGINEERING, LTD. Consulting Engineers Chatham, Illinois</p>	SHEET NO. 19	F.A.P. RTE.	SECTION	COUNTY	TOTAL SHEETS	SHEET NO.
	29 SHEETS	317	(10B-1)R	BROWN/SCHUYLER	196	138
ILLINOIS FED. AID PROJECT					CONTRACT NO. 72432	