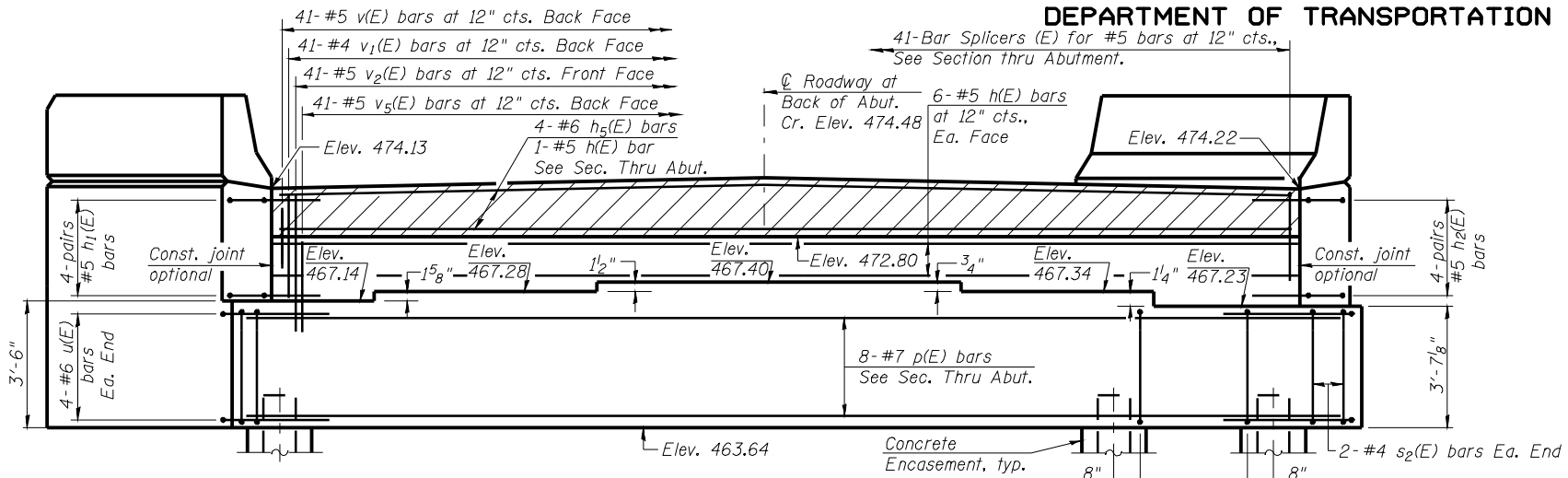
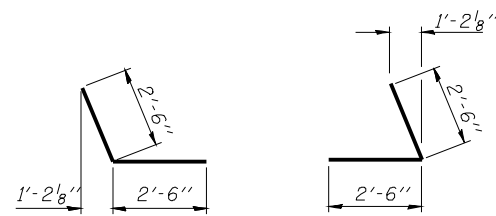


STATE OF ILLINOIS
DEPARTMENT OF TRANSPORTATION

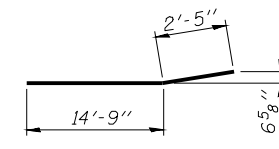


ELEVATION
(Looking East)

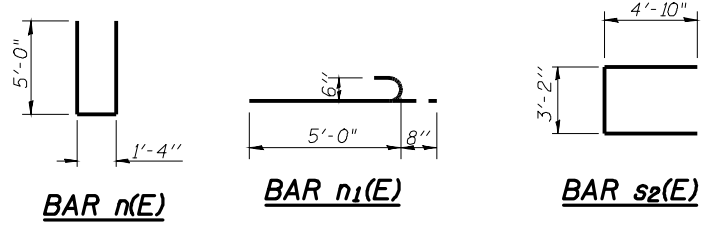


BAR h₁(E)

BAR h₂(E)



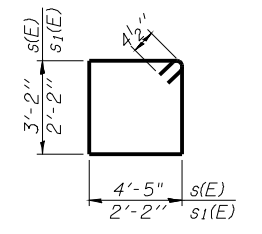
BAR h₄(E)



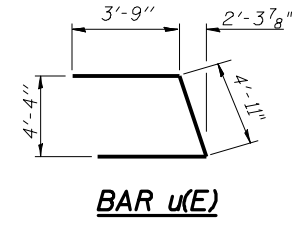
BAR n(E)

BAR n₁(E)

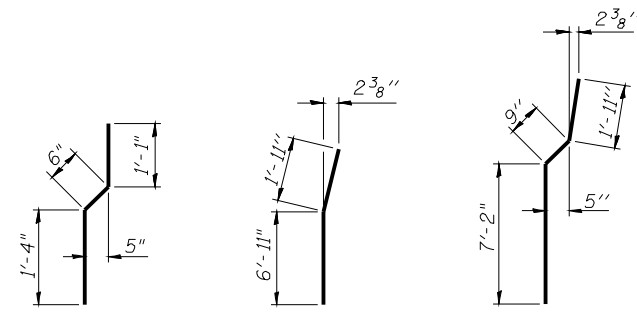
BAR s₂(E)



BARS s(E) & s₁(E)



BAR u(E)



BAR v₁(E)

BAR v₃(E)

BAR v₄(E)

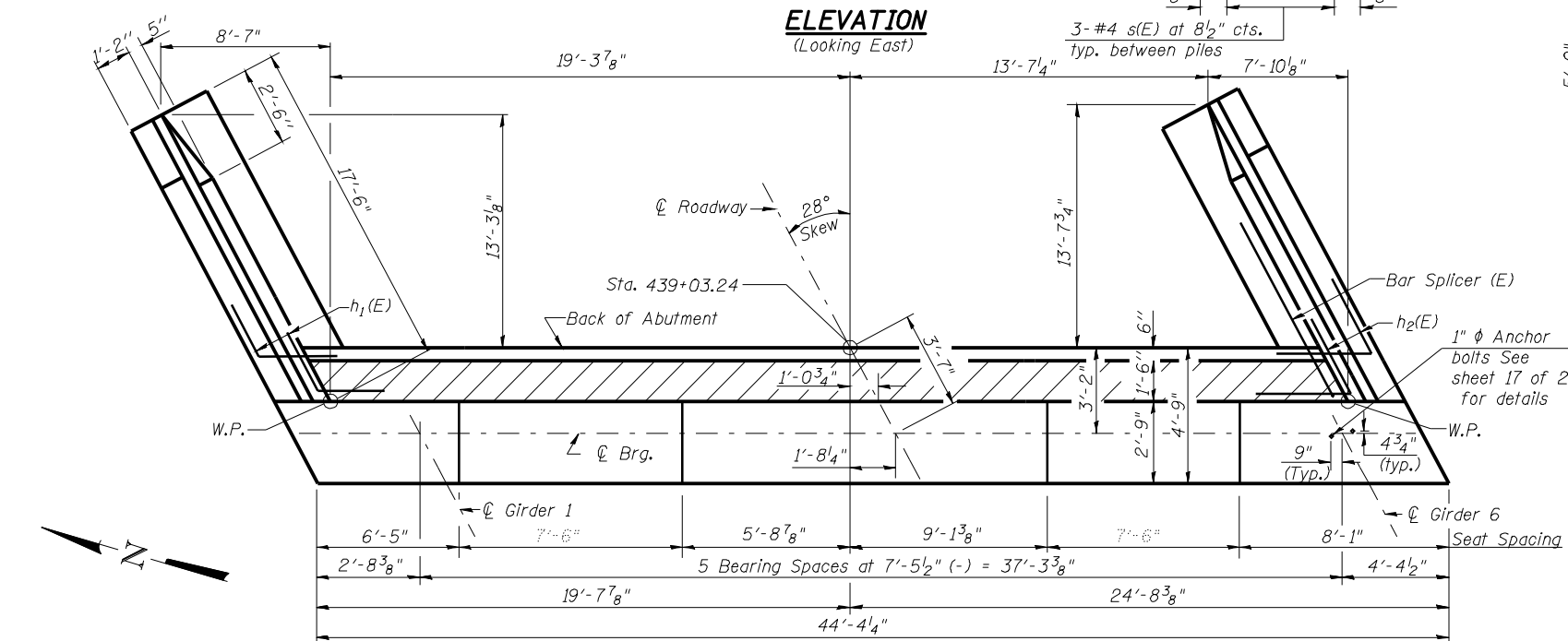
PILE DATA

Type: Steel HP 12x53 with pile shoes
Nominal Required Bearing: 418 kips
Allowable Resistance Available: 139 kips
Est. Length: 22 ft.
No. Production Piles: 17
No. Test Piles: 1

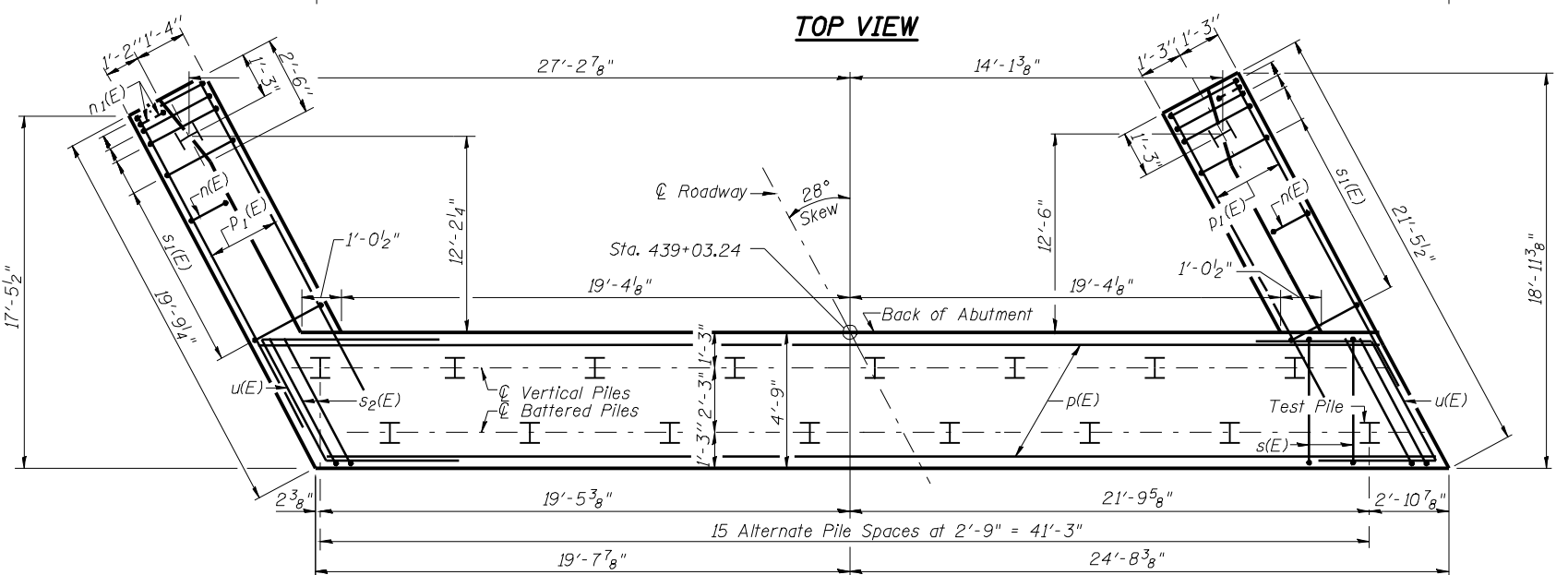
**EAST ABUTMENT
BILL OF MATERIAL**

| Bar | No. | Size | Length | Shape |
|----------------------------------|-----|---------|---------|-------|
| h(E) | 13 | #5 | 40'-5" | |
| h ₁ (E) | 8 | #5 | 5'-0" | |
| h ₂ (E) | 8 | #5 | 5'-0" | |
| h ₃ (E) | 28 | #4 | 18'-0" | |
| h ₄ (E) | 20 | #4 | 17'-2" | |
| h ₅ (E) | 4 | #6 | 40'-5" | |
| n(E) | 30 | #6 | 11'-4" | |
| n ₁ (E) | 12 | #6 | 5'-8" | |
| p(E) | 8 | #7 | 44'-0" | |
| p ₁ (E) | 12 | #7 | 19'-0" | |
| s(E) | 45 | #4 | 15'-11" | |
| s ₁ (E) | 38 | #4 | 9'-5" | |
| s ₂ (E) | 4 | #4 | 12'-10" | |
| u(E) | 8 | #6 | 12'-5" | |
| v(E) | 41 | #5 | 7'-9" | |
| v ₁ (E) | 41 | #4 | 2'-11" | |
| v ₂ (E) | 41 | #5 | 9'-0" | |
| v ₃ (E) | 6 | #6 | 8'-10" | |
| v ₄ (E) | 30 | #6 | 9'-10" | |
| v ₅ (E) | 41 | #5 | 3'-4" | |
| v ₆ (E) | 38 | #6 | 9'-2" | |
| Structure Excavation | | Cu. Yd. | 280 | |
| Concrete Structures | | Cu. Yd. | 66.0 | |
| Reinforcement Bars, Epoxy Coated | | Pound | 6130 | |
| Furnishing Steel Piles HP 12x53 | | Foot | 374 | |
| Driving Piles | | Foot | 374 | |
| Test Pile Steel HP 12x53 | | Each | 1 | |
| Pile shoes | | Each | 18 | |
| Concrete Encasement | | Cu. Yd. | 6.3 | |
| Concrete Sealer | | Sq. Ft. | 392 | |

For details of Bar Splicers, see sheet 24 of 29.
For details of piles and Concrete Encasement, see sheet 25 of 29.
For drainage details see Sheet 2 of 29.
Work this sheet with sheet 21 of 29.



TOP VIEW



PLAN-PILE CAP

**EAST ABUTMENT
STRUCTURE NO. 005-0500**

| | | | | | | |
|---|---------------------------|-------------|----------|----------------|--------------|-----------|
| <p>LIN ENGINEERING, L.T.D. Consulting Engineers Chatham, Illinois</p> | SHEET NO. 20 29 SHEETS | F.A.P. RTE. | SECTION | COUNTY | TOTAL SHEETS | SHEET NO. |
| | | 317 | (10B-1)R | BROWN/SCHUYLER | 196 | 139 |
| CONTRACT NO. 72432 | | | | | | |
| ILLINOIS FED. AID PROJECT | | | | | | |