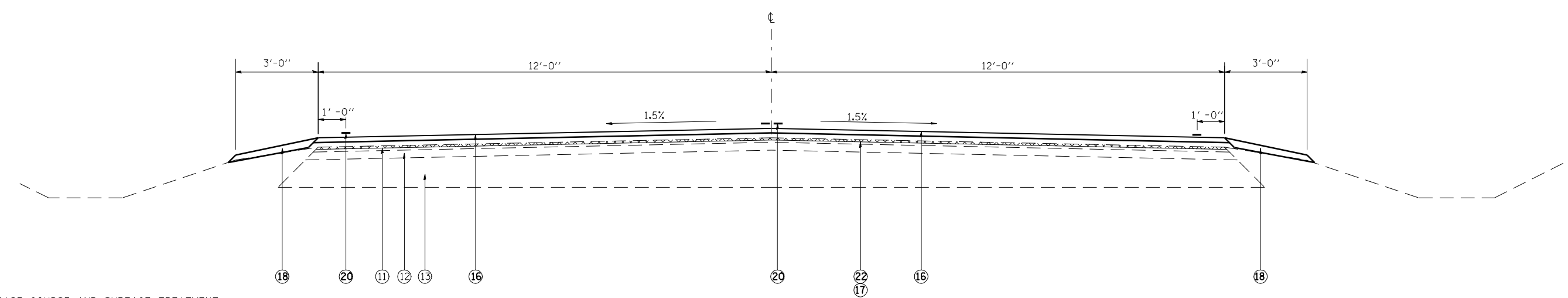


STA. 655+00 TO STA. 666+54+  
 \* SEE SHEET 19 FOR S.E. TRANSITION INFORMATION



• STA. 674+00 TO STA. 678+04.5  
 STA. 678+04.5 TO STA. 681+98.5 (BRIDGE AND APPROACH PAVEMENTS) - OMISSION  
 • STA. 681+79.47 TO 683+54.47 (S.E. TRANSITION)  
 STA. 693+56.36 TO STA. 699+00  
 • SEE NEXT TYPICAL FOR PROPOSED HMA SHOULDERS

- ① EXIST. 6" AGG BASE COURSE AND SURFACE TREATMENT
- ② EXIST. BITUMINOUS CONCRETE BASE COURSE WIDENING, 8"
- ③ EXIST. LEVELING BINDER MACHINE METHOD VARIABLE THICKNESS
- ④ EXIST. BITUMINOUS CONCRETE BINDER COURSE (1 AT 4", 1 AT 2 1/2 ")
- ⑤ EXIST. BITUMINOUS CONCRETE SURFACE COURSE MIX C, CL I 1 1/2 "
- ⑥ EXIST. BITUMINOUS SHOULDERS 8"
- ⑦ EXIST. GRANULAR EMBANKMENT SPECIAL
- ⑧ EXIST. BITUMINOUS BASE COURSE 8"
- ⑨ EXIST. BITUMINOUS CONCRETE BINDER COURSE 1 1/2 "
- ⑩ EXIST. SPECIAL AGGREGATE- SURGE PILE STONE
- ⑪ EXIST. 1 1/4 " BITUMINOUS CONCRETE SURFACE COURSE MIXTURE C, CLASS I
- ⑫ EXIST. 1 3/4 " BITUMINOUS CONCRETE BINDER COURSE
- ⑬ EXIST. 9" BITUMINOUS BASE COURSE
- ⑭ EXIST. SUB-BASE GRANULAR MATERIAL, TYPE B (3"MIN - 6"MAX)
- ⑮ EXIST. BITUMINOUS BINDER CONCRETE BINDER COURSE 2 1/2"
- ⑯ PROP. HMA SURFACE COURSE, MIX C, N50 1 1/2"
- ⑰ PROP. LEVELING BINDER (MACHINE METHOD) N50 3/4"
- ⑱ PROP. AGGREGATE SHOULDERS, TYPE B
- ⑲ PROP. HMA SHOULDERS, 3 3/4"
- ⑳ PROP. PAINT PAVEMENT MARKING -LINE 5"
- ㉑ PROP. HMA BINDER COURSE IL -19.0, N50 2 1/4"
- ㉒ PROP. HMA SURFACE REMOVAL VARIABLE DEPTH
- ㉓ PROP. HMA SHOULDERS 8"

|   |                        |            |           |   |   |  |  |                    |                     |          |              |           |
|---|------------------------|------------|-----------|---|---|--|--|--------------------|---------------------|----------|--------------|-----------|
| FILE NAME =   | USER NAME = laughlinr1 | DESIGNED - | REVISED - | <b>STATE OF ILLINOIS<br/>DEPARTMENT OF TRANSPORTATION</b> | <b>TYPICAL SECTIONS</b>                 |  |  | F.A.P. RTE.        | SECTION             | COUNTY   | TOTAL SHEETS | SHEET NO. |
| es:\pwwork\pwwork\LAUGHLINRL\0188256\0672802-sh-typical.dgn |                        | DRAWN -    | REVISED - |   |   |  |  | 550                | (9,10); 11(RS-1,BI) | SCHUYLER | 86           | 7         |
| PLOT SCALE = 100.0000' / IN.                                |                        | CHECKED -  | REVISED - |   | SCALE: SHEET NO. OF SHEETS STA. TO STA. |  |  | CONTRACT NO. 72802 |                     |          |              |           |
| PLOT DATE = Apr-06-2010 12:01:03PM                          |                        | DATE -     | REVISED - |   | ILLINOIS FED. AID PROJECT               |  |  |                    |                     |          |              |           |