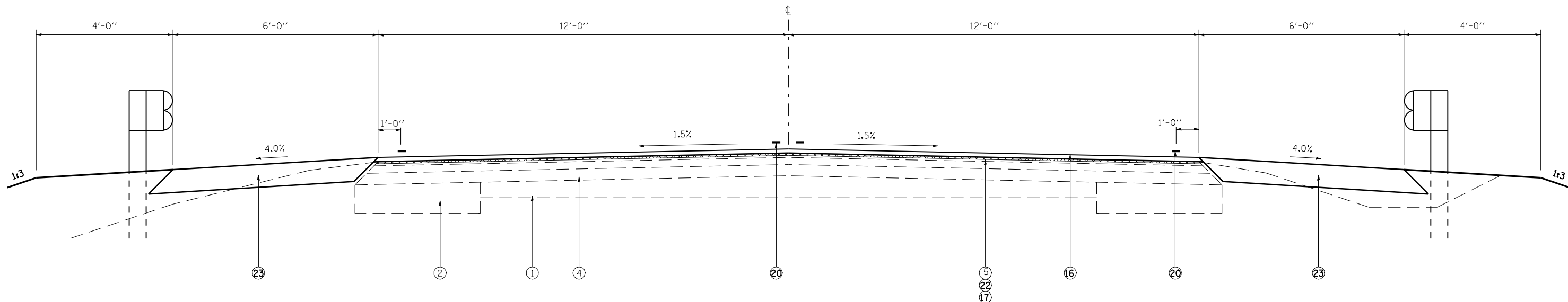


STA. 699+00 TO STA. 785+00
 STA. 825+00 TO STA. 896+10

NOTE:
 *FROM STA. 699+00 TO STA. 785+00
 STA. 825+00 TO STA. 896+10
 EXISTING AGGREGATE BASE COURSE TY. A

- ① EXIST. 6" AGG BASE COURSE AND SURFACE TREATMENT
- ② EXIST. BITUMINOUS CONCRETE BASE COURSE WIDENING, 8" 18
- ③ EXIST. LEVELING BINDER MACHINE METHOD VARIABLE THICKNESS
- ④ EXIST. BITUMINOUS CONCRETE BINDER COURSE (1 AT 4", 1 AT 2 1/2 ")
- ⑤ EXIST. BITUMINOUS CONCRETE SURFACE COURS MIX C, CL I 1 1/2 "
- ⑥ EXIST. BITUMINOUS SHOULDERS 8"
- ⑦ EXIST. GRANULAR EMBANKMENT SPECIAL
- ⑧ EXIST. BITUMINOUS BASE COURSE 8"
- ⑨ EXIST. BITUMINOUS CONCRETE BINDER COURSE 1 1/2 "
- ⑩ EXIST. SPECIAL AGGREGATE- SURGE PILE STONE
- ⑪ EXIST. 1 1/4 " BITUMINOUS CONCRETE SURFACE COURSE MIXTURE C, CLASS I
- ⑫ EXIST. 1 3/4 " BITUMINOUS CONCRETE BINDER COURSE
- ⑬ EXIST. 9" BITUMINOUS BASE COURSE
- ⑭ EXIST. SUB-BASE GRANULAR MATERIAL, TYPE B (3"MIN - 6"MAX)
- ⑮ EXIST. BITUMINOUS BINDER CONCRETE BINDER COURSE 2 1/2"
- ⑯ PROP. HMA SURFACE COURSE, MIX C, N50 1 1/2"
- ⑰ PROP. LEVELING BINDER (MACHINE METHOD) N50 3/4"
- ⑱ PROP. AGGREGATE SHOULDERS, TYPE B
- ⑲ PROP. HMA SHOULDERS, 3 3/4"
- ⑳ PROP. PAINT PAVEMENT MARKING -LINE 5"
- ㉑ PROP. HMA BINDER COURSE IL -19.0, N50 2 1/4"
- ㉒ PROP. HMA SURFACE REMOVAL VARIABLE DEPTH
- ㉓ PROP. HMA SHOULDERS 8"



STA. 750+70.00 TO STA. 761+30.00

FILE NAME =	USER NAME = laughlinr1	DESIGNED -	REVISED -	STATE OF ILLINOIS DEPARTMENT OF TRANSPORTATION	TYPICAL SECTIONS				F.A.P. RTE.	SECTION	COUNTY	TOTAL SHEETS	SHEET NO.		
er\pwwork\PWIDOT\LAUGHLINRL\0188256\0672802-sh-typical.dgn		DRAWN -	REVISED -		SCALE:	SHEET NO.	OF	SHEETS	STA.	TO STA.	550	(9,10); 11(RS-1,BI)	SCHUYLER	86	10
PLOT SCALE = 100.0000 ' / IN.		CHECKED -	REVISED -											CONTRACT NO. 72802	
PLOT DATE = Apr-06-2010 12:01:09PM		DATE -	REVISED -											ILLINOIS FED. AID PROJECT	