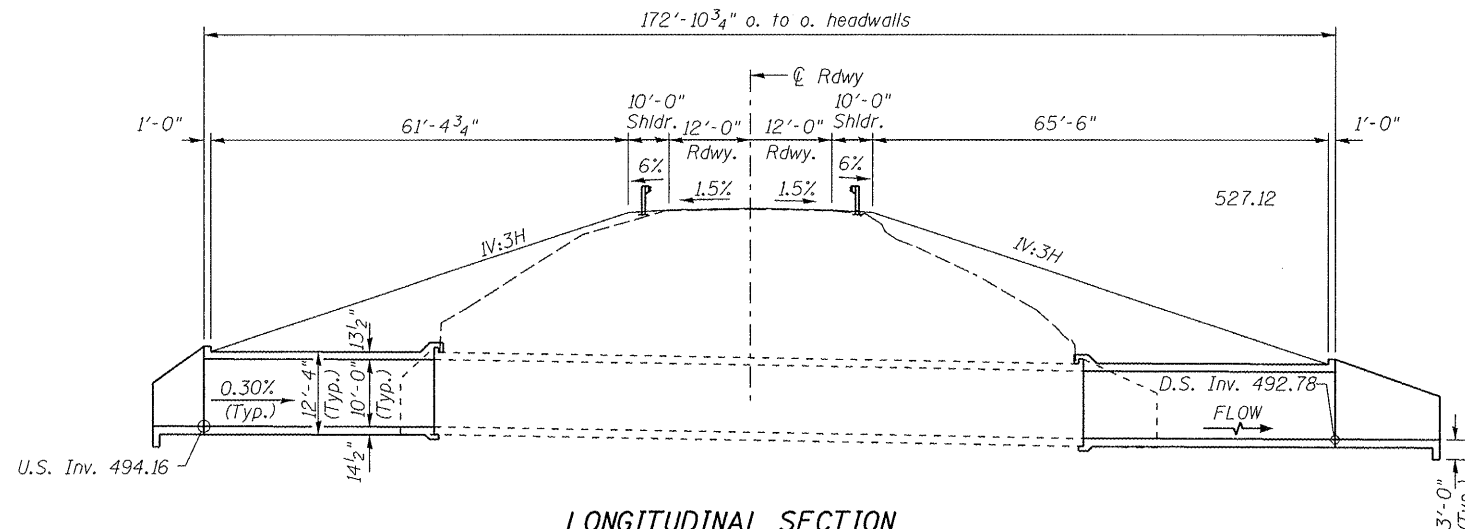


B.M.: R.R. Spike in Backside of PP, West side of IL 99
 Sta. 752+03.3, 82.6' Lt.
 Elev. 550.22

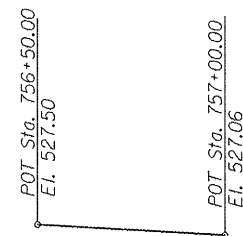
Existing Structure:
 Single 10'x10' concrete box culvert.
 The structure is 97'-2" out to out,
 and is skewed 15° Rt. Ahd.
 Str. No. 085-7029

Traffic to be maintained
 during construction.

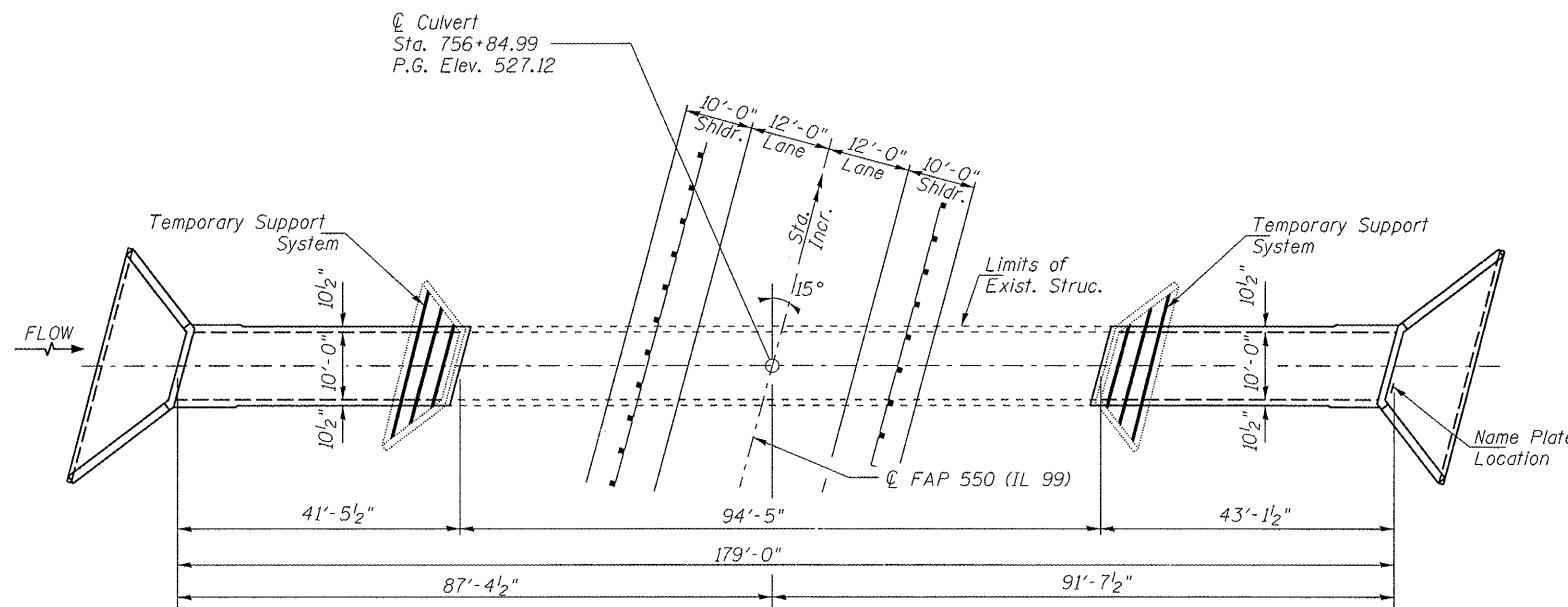
Salvage: None



LONGITUDINAL SECTION
 Dimensions are at Rt.L.'s to \odot Roadway



PROFILE GRADE



PLAN

GENERAL NOTES

The partial removal of the existing structure shall be paid for as Concrete Removal.
 Reinforcement Bars shall conform to the requirements of ASTM A 706 Grade 60.
 Reinforcement Bars designated (E) shall be epoxy coated.
 For backfilling and embankment see Standard Specifications.
 Precast culvert option will not be allowed.
 Exposed concrete edges shall have a 3/4" chamfer unless otherwise noted.
 A distance of half the length of the wingwall, but not less than 6 feet of the barrel shall be poured monolithically with the wingwall.
 Layout of the slope protection system may be varied in the field to suit ground conditions as directed by the Engineer.
 The temporary support system shall be in place prior to concrete removal.
 The temporary support system shall not pass through the proposed box culvert walls, or be incorporated into the proposed box culvert in any way.

TOTAL BILL OF MATERIAL

ITEM	UNIT	TOTAL
Concrete Box Culverts	CU YD	170.0
Reinforcement Bars	POUND	49,470
Reinforcement Bars, Epoxy Coated	POUND	1,330
Concrete Removal	CU YD	6.8
3/4" \odot Expansion Bolts	EACH	48
Temporary Support System	EACH	2
Rock Excavation	CU YD	30

DESIGN SCOUR TABLE

Location	Upstream	Downstream
Design Scour Elevation	491.95	490.57

DESIGN SPECIFICATIONS

2002 AASHTO & Interims

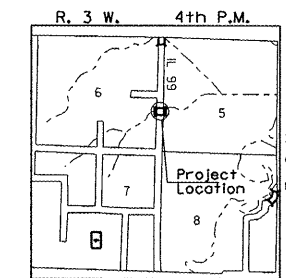
DESIGN STRESSES

FIELD UNITS

f'_c = 3,500 psi
 f_y = 60,000 psi (Reinforcement)

LOADING HS20-44

Allow 50#/sq. ft. for future wearing surface.



LOCATION SKETCH

GENERAL PLAN
 SCHUYLER COUNTY
 SECTION (9,10)I; 11 (RS-1,BI)
 FAP 550 (IL 99) OVER
 DRAINAGE DITCH
 STATION 756+84.99
 STRUCTURE NO. 085-7029

BENJAMIN A. NEBEL
 081-005627
 LICENSED PROFESSIONAL ENGINEER
 STATE OF ILLINOIS
 Lic Exp. 11/30/2010

FILE NAME = V:\B-ridge\2447\2447-14 Schuyler\2447-14c001.dgn	USER NAME = bnebel	DESIGNED CTM	REVISED -	STATE OF ILLINOIS DEPARTMENT OF TRANSPORTATION	SINGLE BOX CULVERT DETAILS, SN 085-7029	F.A.S. RTE. IL 99	SECTION (9,10)I; 11(RS-1,BI)	COUNTY SCHUYLER	TOTAL SHEETS 86	SHEET NO. 35	
PLOT SCALE = 28.2032" / IN.	CHECKED BAN	REVISED -	SCALE: _____			SHEET NO. 1 OF 4 SHEETS	STA. _____ TO STA. _____	FED. ROAD DIST. NO. 7 ILLINOIS FED. AID PROJECT			
PLOT DATE = 4/27/2010	DATE -	REVISED -									