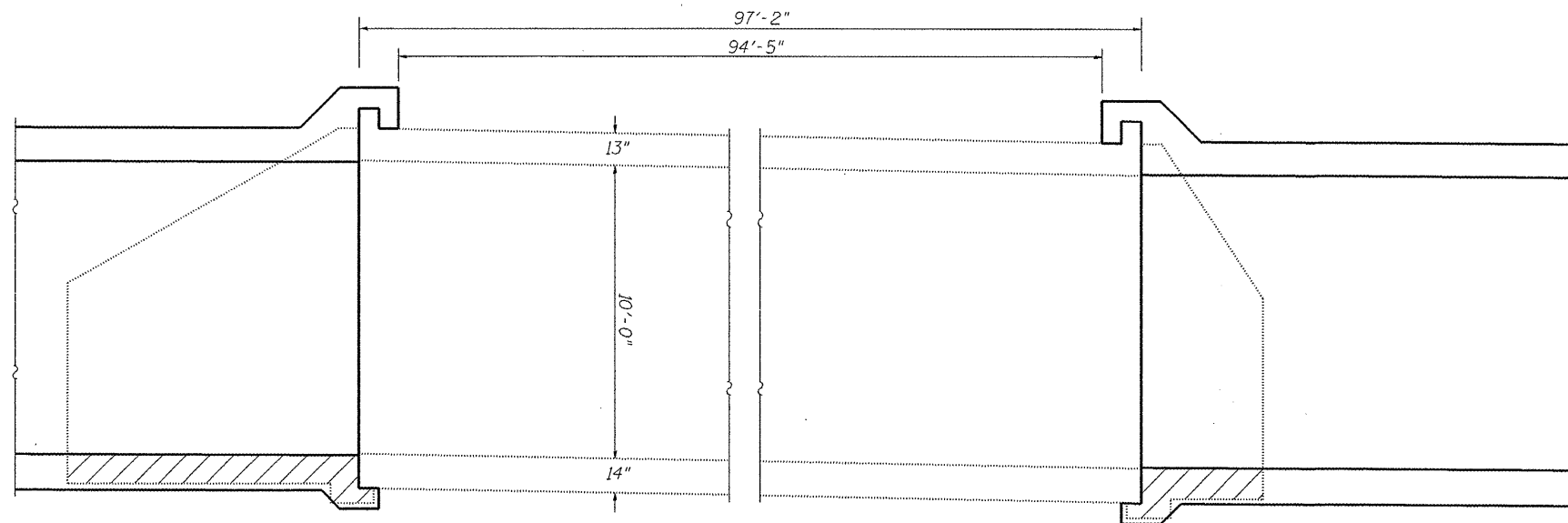
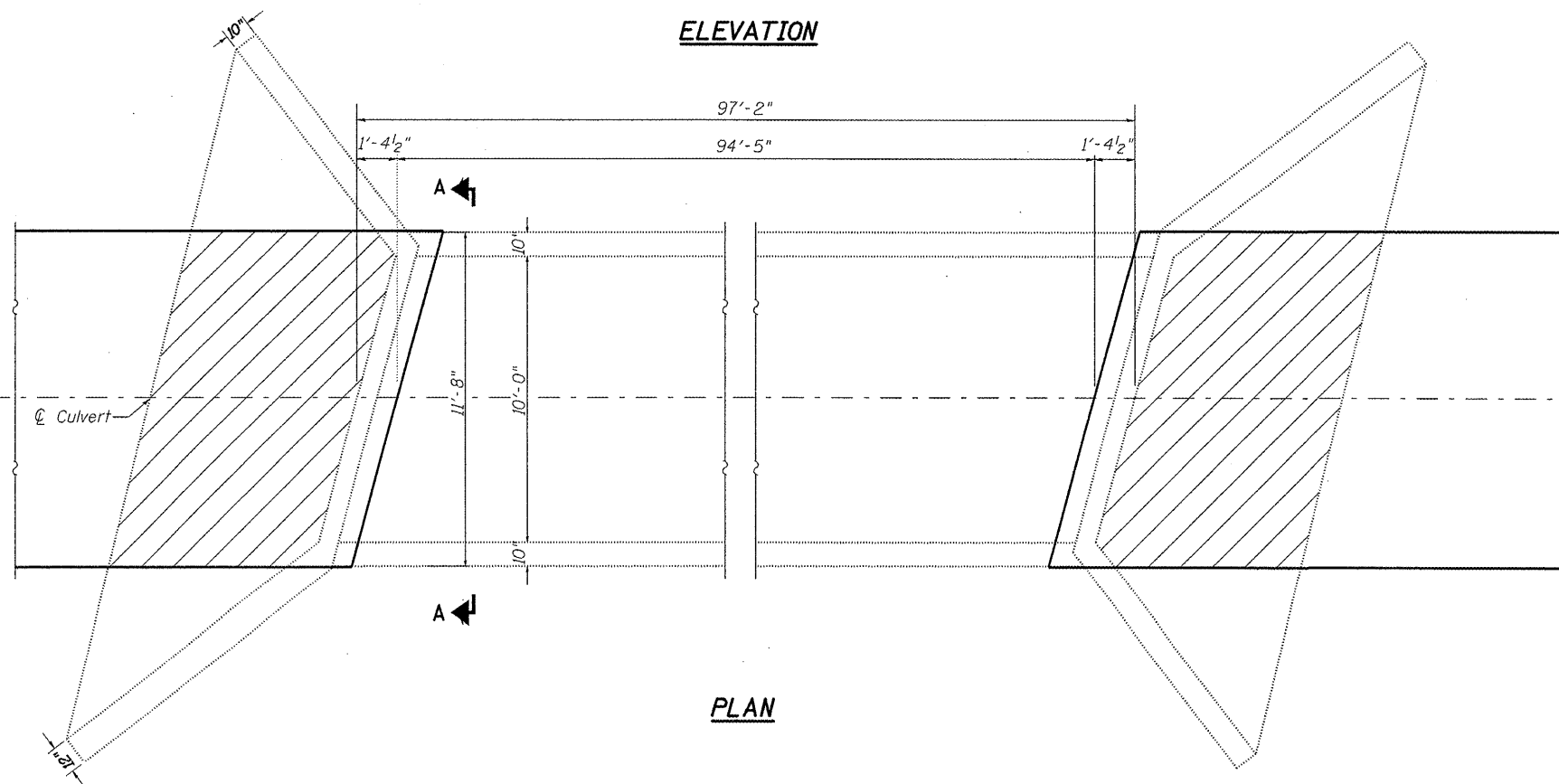


Note: Cross Hatched area to be removed and paid for as Box Culvert Removal.
Wingwall removal included in the cost of Concrete Removal.



ELEVATION



PLAN

CONCRETE REMOVAL DETAILS
SCHUYLER COUNTY
SECTION (9,10)I; 11 (RS-1,B1)
FAP 550 (IL 99) OVER
DRAINAGE DITCH
STATION 756+84.99
STRUCTURE NO. 085-7029

FILE NAME *	USER NAME = laughlinr1	DESIGNED CTM	REVISED -
e:\pwork\pwork\LAUGHLINR1\dms250162\447-14c002.dgn		DRAWN CTM	REVISED -
		CHECKED BAN	REVISED -

STATE OF ILLINOIS
DEPARTMENT OF TRANSPORTATION

SINGLE BOX CULVERT DETAILS, SN 085-7029

F.A.S. RTE.	SECTION	COUNTY	TOTAL SHEETS	SHEET NO.
IL 99	(9,10)I; 11(RS-1,B1)	SCHUYLER	86	36
			CONTRACT NO. 72802	

Rev.