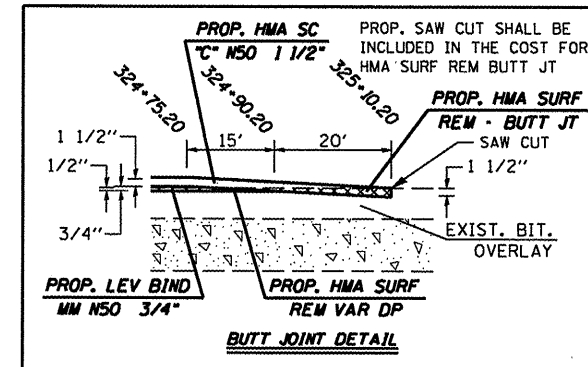
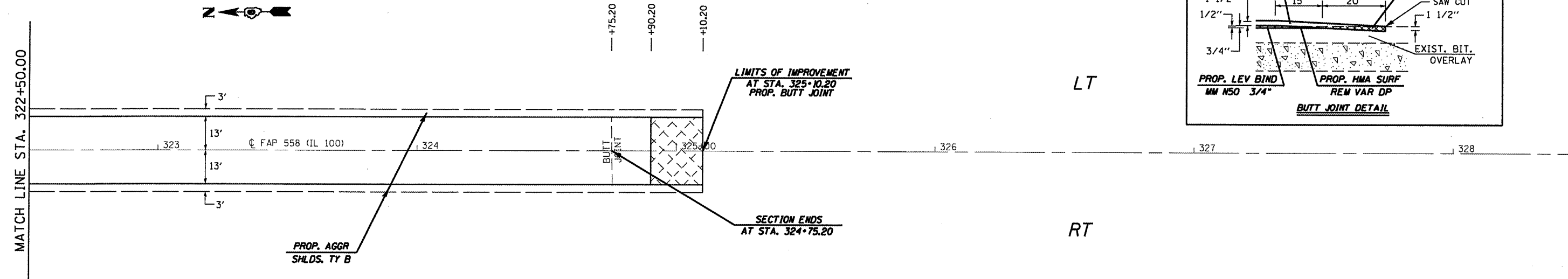


(37A)

(ENDING OF AREA A)



LT

RT

FILE NAME =	USER NAME = coxjm	DESIGNED - RSC	REVISED -
ca:\pwwork\PIWIDOT\COXJM\dms25409\06728	4-shr-dblp1n20-1.dgn	DRAWN - JWC	REVISED -
	PLOT SCALE = 40.0000' / IN.	CHECKED - RSC	REVISED -
	PLOT DATE = Mar-18-2010 01:28:23PM	DATE -	REVISED -

**STATE OF ILLINOIS
DEPARTMENT OF TRANSPORTATION**

PLAN VIEW - AREA A

SCALE: 20 SHEET NO. 19 OF 36 SHEETS STA. 322+50.00 TO STA. 325+10.20

F.A.P. RTE.	SECTION	COUNTY	TOTAL SHEETS	SHEET NO.
558	*	PIKE	77	41
CONTRACT NO. 72814				
ILLINOIS FED. AID PROJECT				