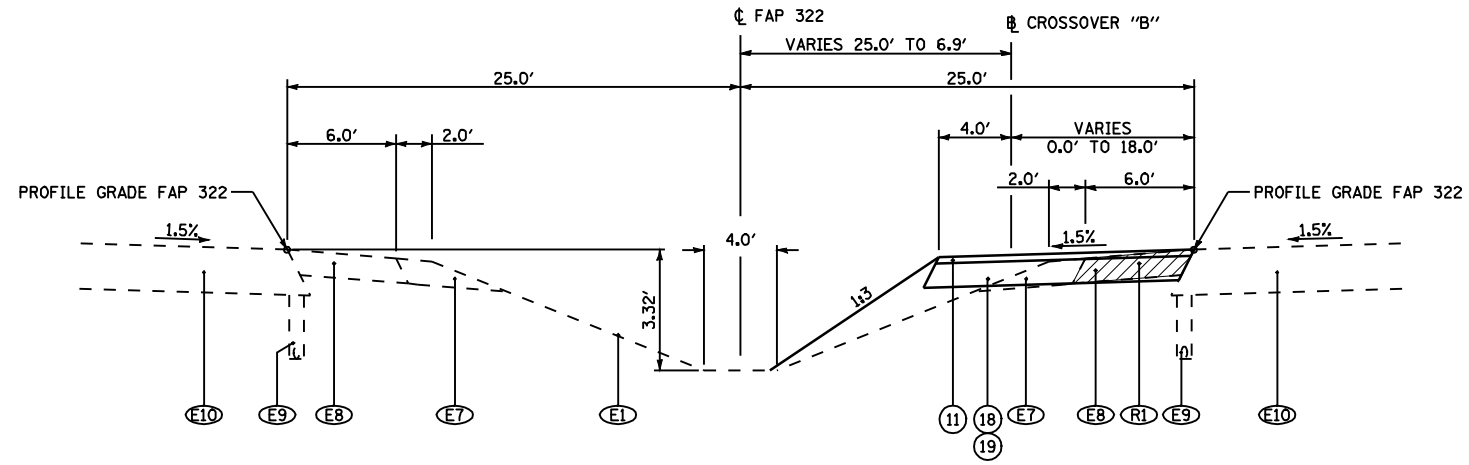


F.A.P. RTE.	SECTION	COUNTY	TOTAL SHEETS	SHEET NO.
322	11-12	CHRISTIAN	284	38
STA.	TO STA.			
FED. ROAD DIST. NO.	ILLINOIS	FED. AID PROJECT		

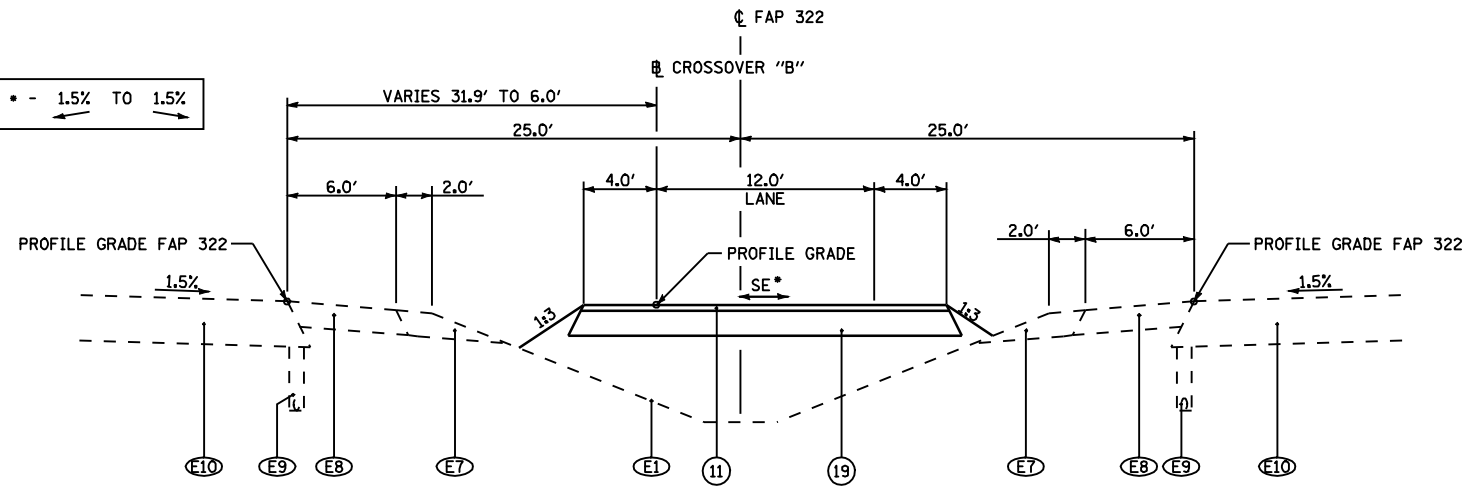
LEGEND

- (E1) EXISTING GROUND
- (E2) EXISTING HMA SURFACE, 1 1/2"
- (E3) EXISTING HMA SURFACE, VARIES 3" - 6"
- (E4) EXISTING 9"-6"-9" PCC CONCRETE PAVEMENT
- (E5) EXISTING PCC BASE COURSE WIDENING, 9"
- (E6) EXISTING HMA SHOULDERS, 8"
- (E7) EXISTING AGGREGATE SHOULDERS, VARIABLE DEPTH
- (E8) EXISTING HMA SHOULDERS, 8"
- (E9) EXISTING PIPE UNDERDRAINS
- (E10) EXISTING HMA PAVEMENT, 13 3/4"
- (R1) REMOVE EXISTING HMA SHOULDERS
- (R2) REMOVE EXISTING HMA PAVEMENT, 13 3/4" AND HMA SHOULDERS, 8"
- (1) HOT-MIX ASPHALT PAVEMENT (FULL-DEPTH), 13 3/4"
(SEE MIXTURE REQUIREMENTS AND PAVING LIFT DIAGRAMS ON SHEET 3 FOR THE PAVEMENT COMPOSITION)
- (2) HOT-MIX ASPHALT PAVEMENT (FULL-DEPTH), 9 1/4"
(SEE MIXTURE REQUIREMENTS AND PAVING LIFT DIAGRAMS ON SHEET 3 FOR THE PAVEMENT COMPOSITION)
- (3a) HOT-MIX ASPHALT SHOULDERS 8"
- (3) HOT-MIX ASPHALT SHOULDERS 8" (WITH RUMBLE STRIPS, STD 642001)
- (4) AGGREGATE SHOULDERS, TYPE B
- (5) SUB-BASE GRANULAR MATERIAL, TYPE C
- (6) PROCESSING LIME MODIFIED SOILS, 12"
- (7) TOPSOIL FURNISH AND PLACE, 4"
- (8) PIPE UNDERDRAINS, 4" (STD 601001)
- (9) AGGREGATE BASE COURSE, TYPE A, 10"
- (10) BITUMINOUS SURFACE TREATMENT CLASS A-3
- (11) HOT-MIX ASPHALT SURFACE COURSE, MIX "D", N70, 2"
- (12) HOT-MIX ASPHALT BASE COURSE WIDENING, 12" (WHEN WIDTH < 6')
- (13) HOT-MIX ASPHALT BASE COURSE 11 3/4" (WHEN WIDTH >= 6')
- (14) PORTLAND CEMENT CONCRETE PAVEMENT 8" (JOINTED), STD 420101
- (15) HOT-MIX ASPHALT SURFACE REMOVAL, 2"
- (16) COMBINATION CONCRETE CURB AND GUTTER, TYPE B-6.24, STD 606001
- (17) AGGREGATE SURFACE COURSE, TYPE A, 6"
- (18) HOT-MIX ASPHALT BASE COURSE WIDENING, 9" (WHEN WIDTH < 6')
- (19) HOT-MIX ASPHALT COURSE 8 1/2" (WHEN WIDTH >= 6')
- (20) AGGREGATE BASE COURSE, TYPE A, 8"
- (21) HOT-MIX ASPHALT SURFACE COURSE, MIX "D", N50, 2"



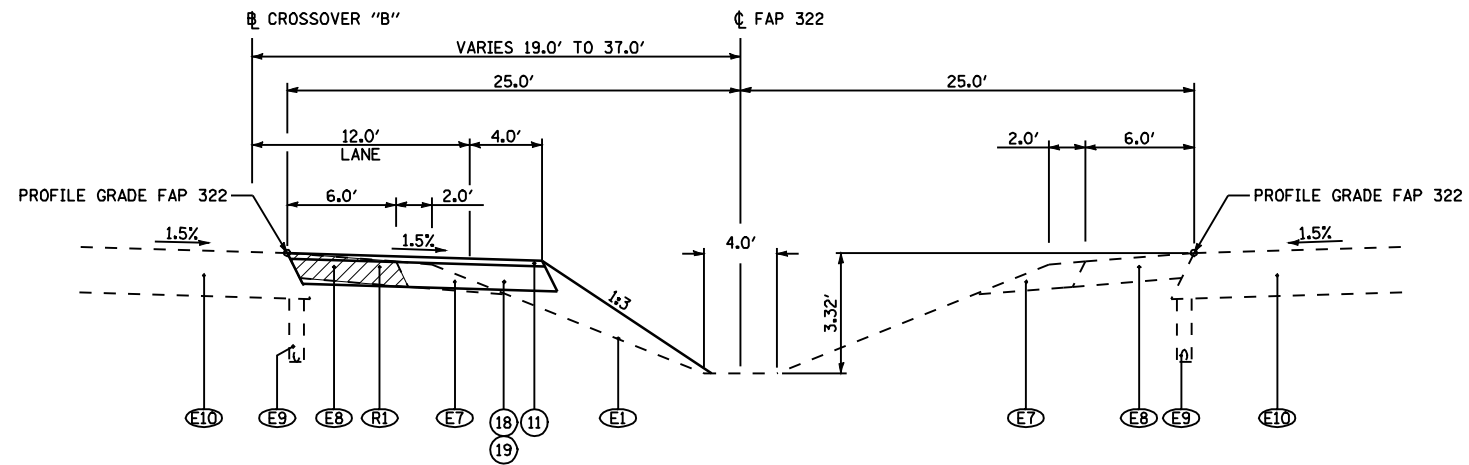
CROSSOVER "B" TYPICAL SECTION

STA 10+00.00 TO STA 14+25.07



CROSSOVER "B" TYPICAL SECTION

STA 14+25.07 TO STA 14+89
STA 14+89 TO STA 16+22 SE TRANSITION
STA 16+22 TO STA 16+89.57



CROSSOVER "B" TYPICAL SECTION

STA 16+89.57 TO STA 21+14.13

REVISIONS	
NAME	DATE
HMA SURF	3/25/2010

ILLINOIS DEPARTMENT OF TRANSPORTATION
TYPICAL SECTIONS
SHEET 7 OF 9
FAP 322 (US 51)
SECTION 11-12
CHRISTIAN COUNTY

SCALE: NONE
DATE: 8/22/06

DRAWN BY: SEB
CHECKED BY: TLD

NOT TO SCALE

MO-25-2010 03/21/10/PH

FILE#