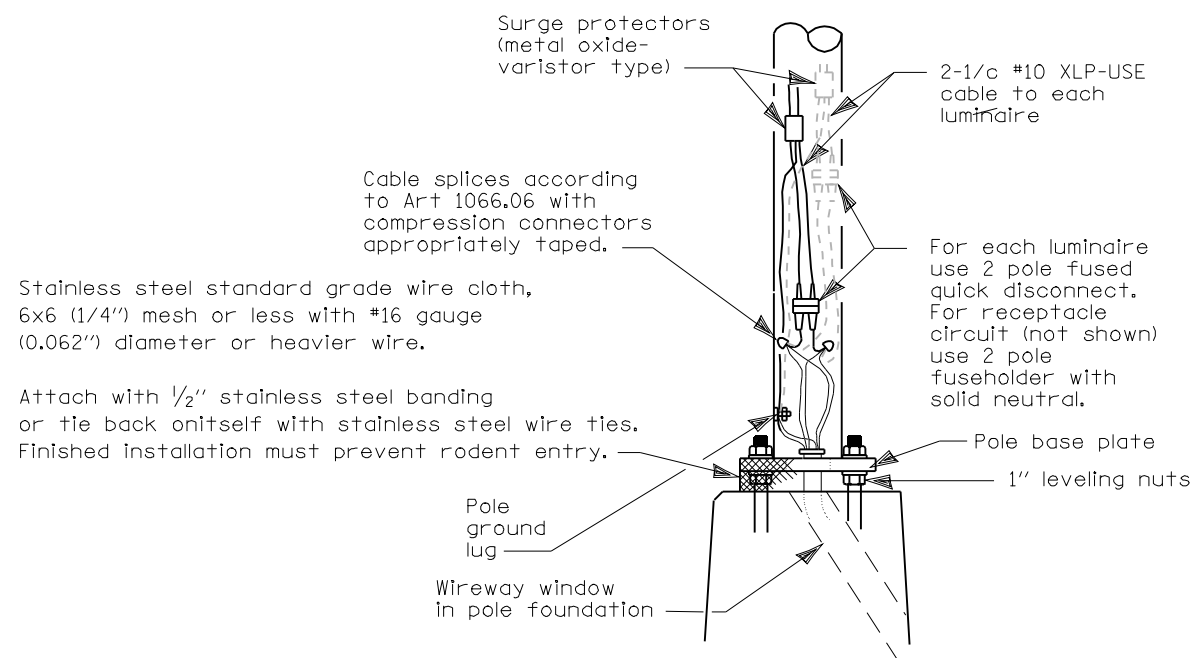


F.A.P. RTE.	SECTION	COUNTY	TOTAL SHEETS	SHEET NO.
322	11-12	CHRISTIAN	284	135b
STA.		TO STA.		
FED. ROAD DIST. NO.	ILLINOIS	FED. AID PROJECT		



WIRING DETAIL

NO SCALE

GENERAL NOTES

All taped splices shall use 2 layers of electrical tape over 3 layers of rubber tape as required by the Standard Specifications. Coat the finished taped splice with bonding compound.

All cable splices shall be taped unless another method has been specifically approved by the Engineer.

For example purposes the pole is shown on an anchor base. If the pole is required to be set on a breakaway base, consult the Standard Specifications.

POLE HANDHOLE WIRING

REVISIONS	
NAME	DATE

ILLINOIS DEPARTMENT OF TRANSPORTATION
 LIGHTING PLAN -
 LIGHTING DETAILS 3b OF 5
 FAP 322 (US 51)
 SECTION 11-12
 CHRISTIAN COUNTY

SCALE: NONE DRAWN BY IDOT
 DATE CHECKED BY

Mo-15-2018 12:28:44PM

\$FILE\$