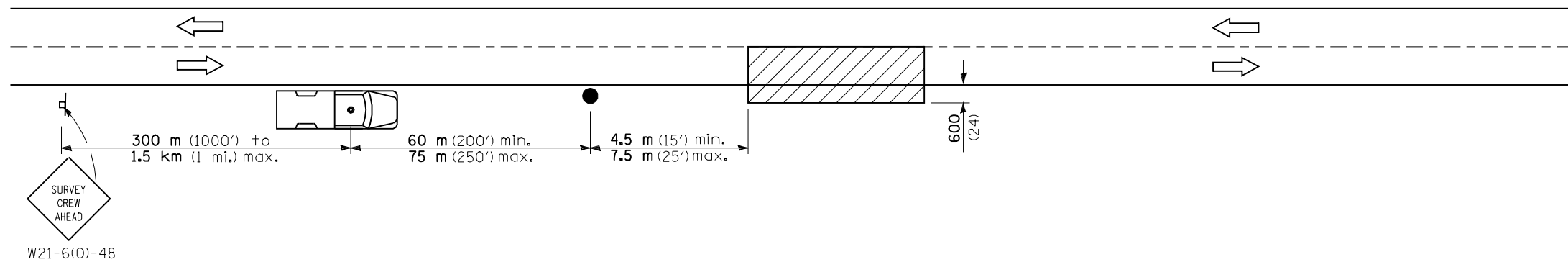


| | | | | |
|---------------------|----------|------------------|--------------|-----------|
| F.A.P. RTE. | SECTION | COUNTY | TOTAL SHEETS | SHEET NO. |
| 322 | 11-12 | CHRISTIAN | 284 | 137 |
| STA. | | TO STA. | | |
| FED. ROAD DIST. NO. | ILLINOIS | FED. AID PROJECT | | |

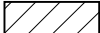





FLAGGER SHALL BE EQUIPPED WITH AND REQUIRED TO USE A HIGH INTENSITY, OR HIGH PERFORMANCE "STOP - SLOW" TRAFFIC CONTROL PADDLE. FLAGGER AND LIGHTING INSPECTOR SHALL BE REQUIRED TO WEAR A HIGH VISIBILITY, REFLECTIVE ORANGE VEST AND EITHER A HARD HAT OR AN ORANGE CAP.

Ms-15-2018 12/28/19PM

\$FILE\$

SYMBOLS

-  Work area
-  Sign on portable or permanent support
-  Truck with flashing amber light and dual emergency flashers
-  Flagger with traffic control sign

TYPICAL APPLICATIONS
Utility operations

DETAIL FOR NIGHTTIME LIGHTING INSPECTION

| REVISIONS | |
|-----------|------|
| NAME | DATE |
| | |
| | |
| | |
| | |
| | |
| | |
| | |
| | |
| | |
| | |

ILLINOIS DEPARTMENT OF TRANSPORTATION
LIGHTING PLAN -
LIGHTING DETAILS 5 OF 5
FAP 322 (US 51)
SECTION 11-12
CHRISTIAN COUNTY

SCALE: NONE DRAWN BY IDOT
DATE CHECKED BY