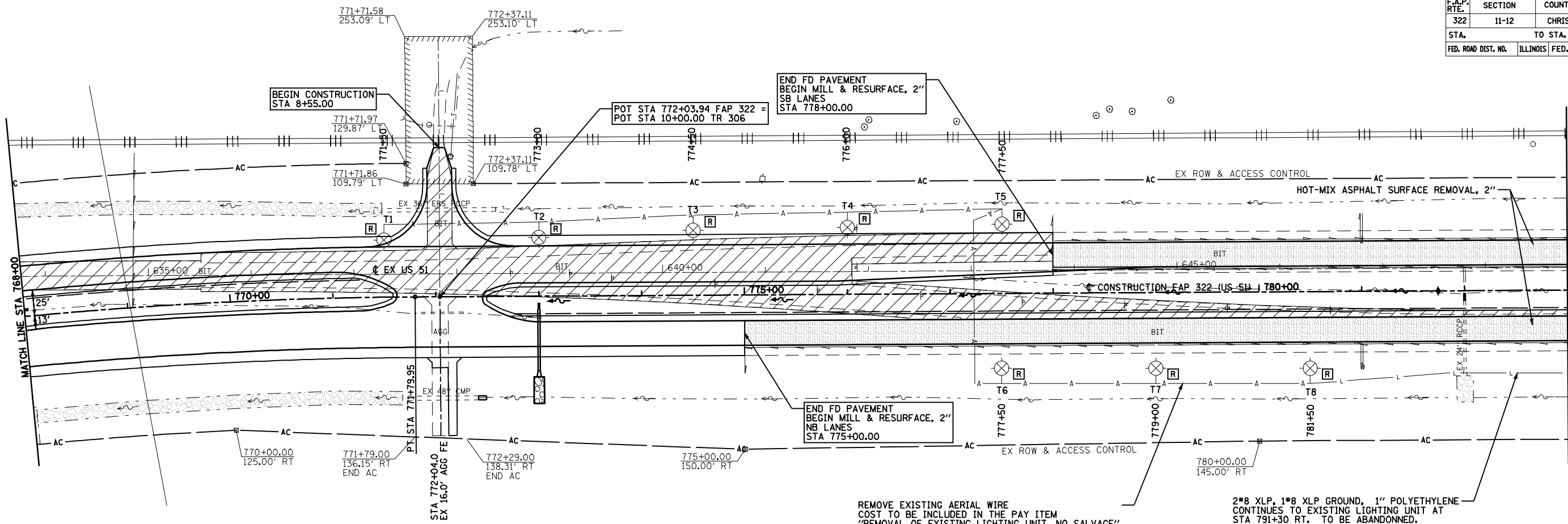
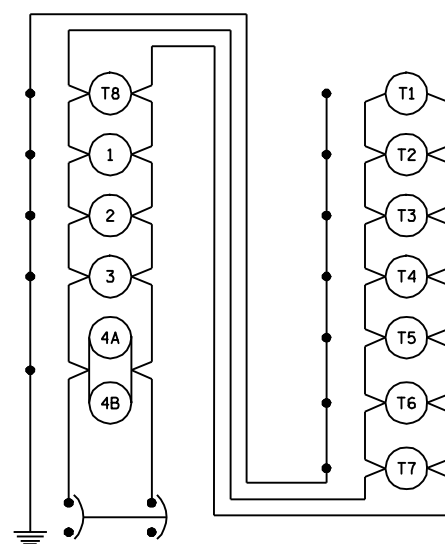


F.A.P. RTE.	SECTION	COUNTY	TOTAL SHEETS	SHEET NO.
322	11-12	CHRISTIAN	284	144
STA.	TO STA.			
FED. ROAD DIST. NO.	ILLINOIS	FED. AID PROJECT		



REMOVE EXISTING AERIAL WIRE
COST TO BE INCLUDED IN THE PAY ITEM
"REMOVAL OF EXISTING LIGHTING UNIT, NO SALVAGE"

2*8 XLP, 1*8 XLP GROUND, 1\"/>

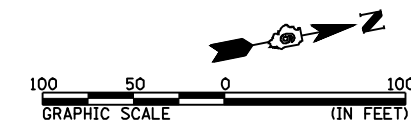


30 AMP, 2 POLE
CIRCUIT BREAKER

EXISTING CIRCUIT
CONTROLLER @ NE CORNER OF US 51 & TR 185
DISCONNECT EXISTING TEMPORARY LIGHTING
UNITS FROM THE CIRCUIT

LEGEND

- EXISTING WOOD LIGHTING POLE, 50' CLASS 3 WITH 250 WATT HPS MULTI MOUNT LUMINAIRE. TO BE REMOVED
- EXISTING UNIT DUCT (AS NOTED)
- EXISTING AERIAL CABLE, 2-1/C#4, ALUMINUM WITH MESSENGER WIRE



REVISIONS	
NAME	DATE

ILLINOIS DEPARTMENT OF TRANSPORTATION
LIGHTING PLAN -
REMOVAL @ EXIST CROSSOVER
FAP 322 (US 51)
SECTION 11-12
CHRISTIAN COUNTY

SCALE: 1"=50' DRAWN BY SEB
DATE 8/22/06 CHECKED BY TLD

FAP 322 (US 51) STA 768+00 TO STA 783+00

Mo-15-2018 12:29:46PM

SFILEX