

F.A.P. RTE.	SECTION	COUNTY	TOTAL SHEETS	SHEET NO.
322	11-12	CHRISTIAN	284	145
STA.		TO STA.		
FED. ROAD DIST. NO.	ILLINOIS	FED. AID PROJECT		

**LEGEND**

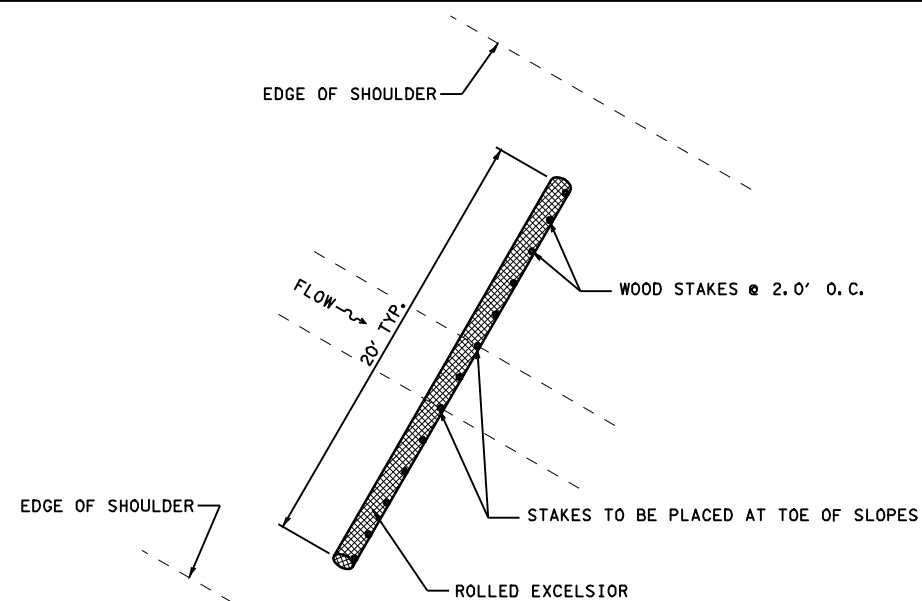
(FOR THE STORM WATER POLLUTION PREVENTION PLAN SHEETS)

ITEM	SYMBOL
TEMPORARY DITCH CHECKS, AGGREGATE (STD 280001) (AGGREGATE DITCH CHECKS, 3.0 TONS PER EACH)	
TEMPORARY DITCH CHECKS, ROLLED EXCELSIOR	
INLET AND PIPE PROTECTION (STD 280001) [HAY BALES NOT ALLOWED]	
PERIMETER EROSION BARRIER	
EARTH EXCAVATION FOR EROSION CONTROL (SEDIMENT BASINS)	
PRESERVE EXISTING TREES, WOODLANDS, AND UNDERSTORY (OUTSIDE CONSTRUCTION LIMITS)	
ITEM PLACED AT BEGINNING OF CONSTRUCTION (Requirement)	* <b>ITEM</b> *
ITEM PLACED AS DIRECTED BY ENGINEER (When required by situation)	<b>ITEM</b>
DIRECTION OF OVERLAND FLOW	
EROSION CONTROL BLANKET	
ITEM PLACED DURING STAGE 1 CONSTRUCTION	①

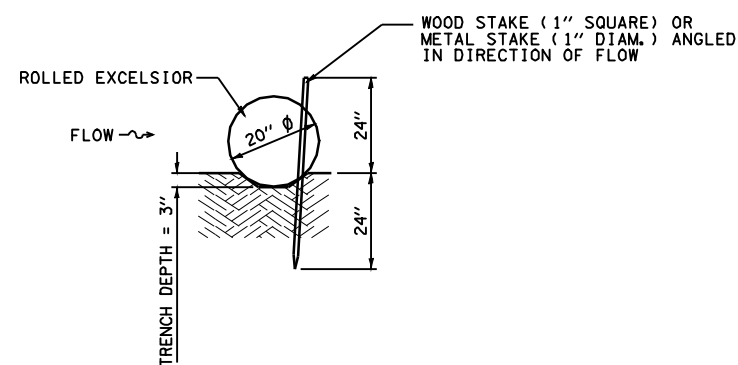
**GENERAL NOTES:**

All items shall be constructed as shown on this sheet, on Standard 280001, and as directed by the Engineer.

Mulch shall be method 2, unless otherwise noted.



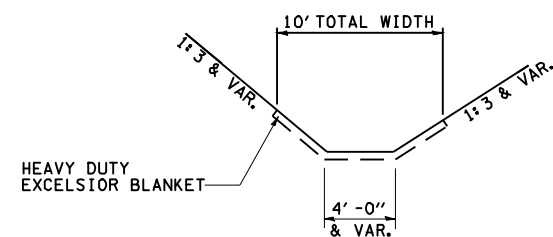
PLAN VIEW



SECTION VIEW

TEMPORARY DITCH CHECKS, ROLLED EXCELSIOR  
(TYPICAL)

SEE STANDARD 280001  
FOR EROSION CONTROL  
DETAILS NOT SHOWN.



HEAVY DUTY EXCELSIOR BLANKET LIMITS  
(TYPICAL)

REVISIONS	
NAME	DATE

ILLINOIS DEPARTMENT OF TRANSPORTATION  
**STORM WATER POLLUTION PREVENTION PLAN**  
 FAP 322 (US 51)  
 SECTION 11-12  
 CHRISTIAN COUNTY

SCALE: NONE  
 DATE: 8/22/06

DRAWN BY: BGJ  
 CHECKED BY: SEB

Mo-15-2018 12:29:10PM

\$FILE\$