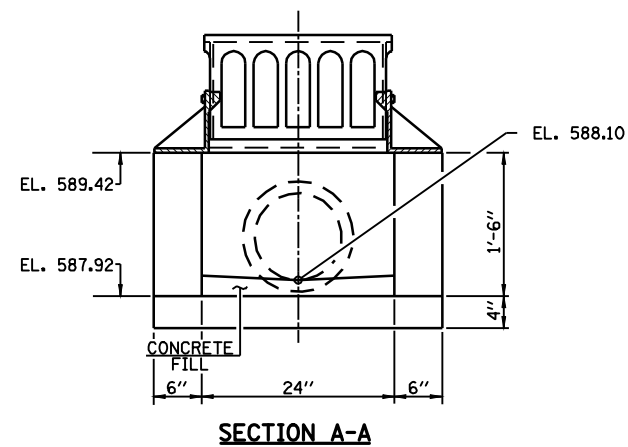
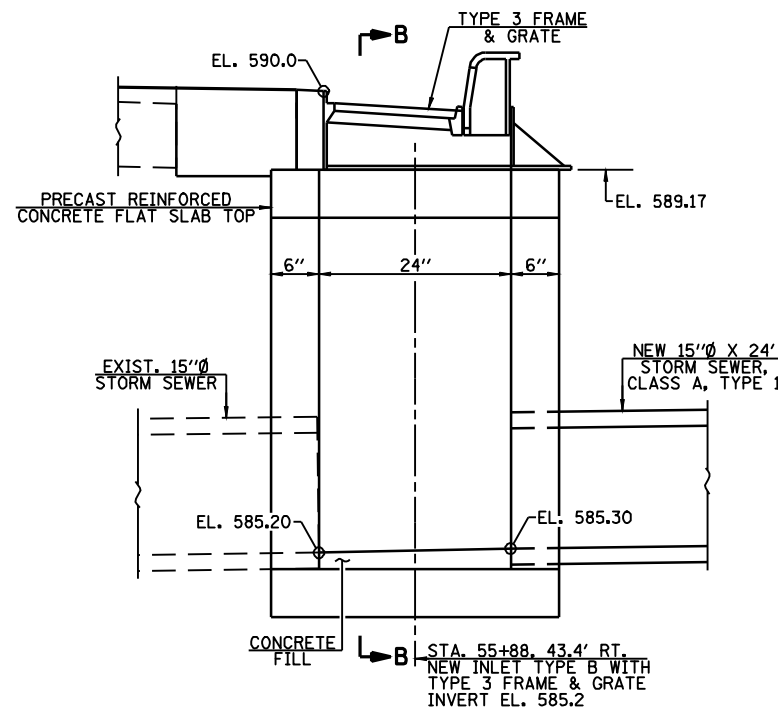


ELEVATION

INLET TYPE A
(STA. 55+55 13' LT.)

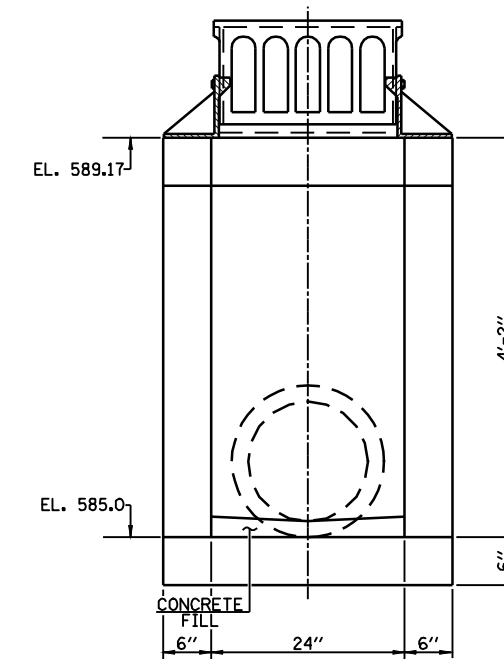


SECTION A-A

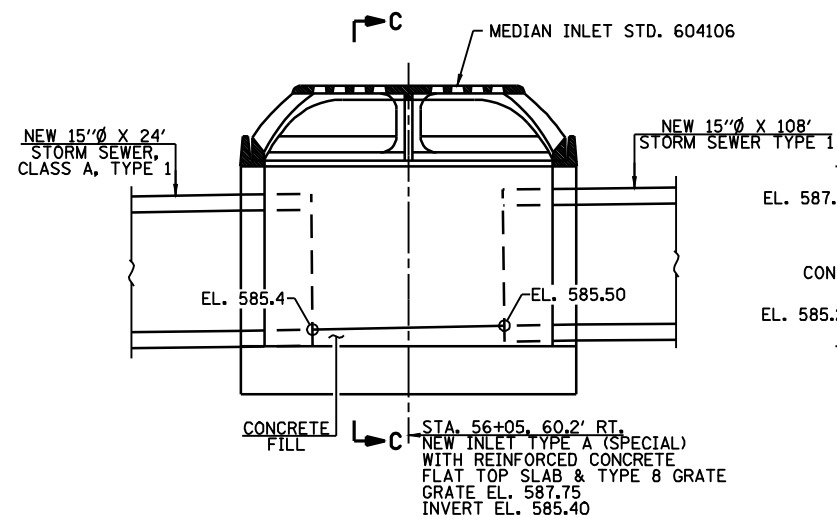


ELEVATION

INLET TYPE B
(STA. 55+88 43.4' RT.)

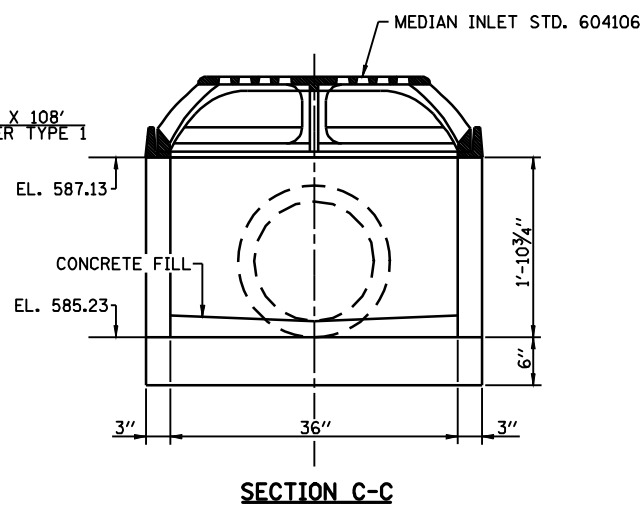


SECTION B-B

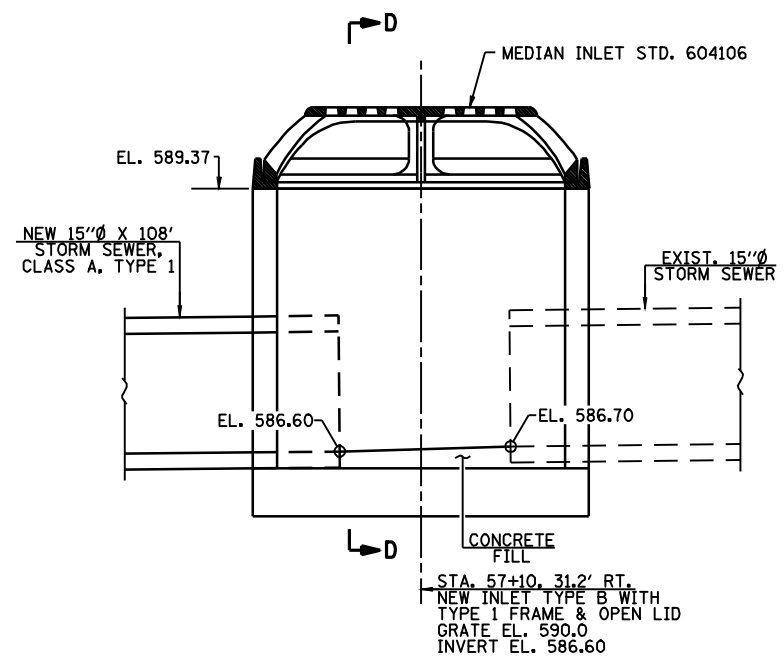


ELEVATION

INLET TYPE B
(STA. 56+05 60.2' RT.)
(3'-0" DIAMETER)

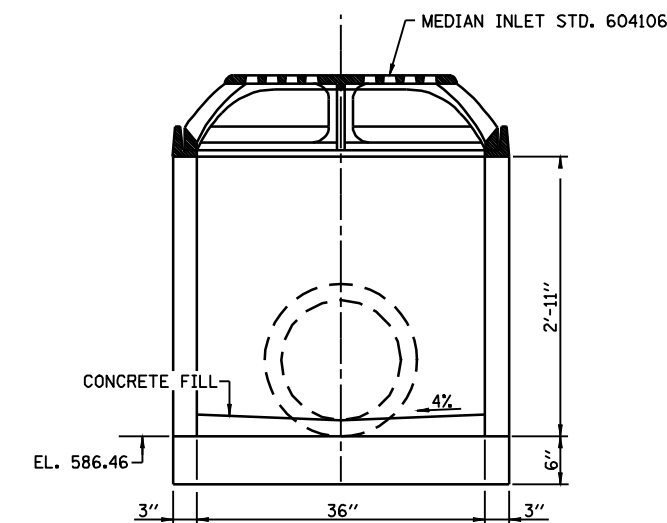


SECTION C-C



ELEVATION

INLET TYPE B
(STA. 57+10 31.2' RT.)



SECTION D-D

NOTE: WORK THIS SHEET WITH SHEETS NO. 18 & 19

FILE NAME =	USER NAME = laughlinr1	DESIGNED -	REVISED -
er:\pwwork\pwwid\LAUGHLINRL\20181122\d872998-ah-t-dra.dgn		DRAWN -	REVISED -
PLOT SCALE = 2.0000' / IN.		CHECKED -	REVISED -
PLOT DATE = Mar-18-2010 02:17:08PM		DATE -	REVISED -



Allen Henderson & Associates, Inc.
Civil and Structural Engineers Springfield, IL
62703 Phone: (217)544-8033 IL Design Firm
No. 184-001907

INLET DETAILS			
SCALE: 1/2" = 1'	SHEET NO. 20 OF 32 SHEETS	STA.	TO STA.

F.A.P. RTE.	SECTION	COUNTY	TOTAL SHEETS	SHEET NO.
717	(24Z)RS-4, N 116RS-5	LOGAN	32	20
CONTRACT NO. 72988				
FED. ROAD DIST. NO. ILLINOIS FED. AID PROJECT				