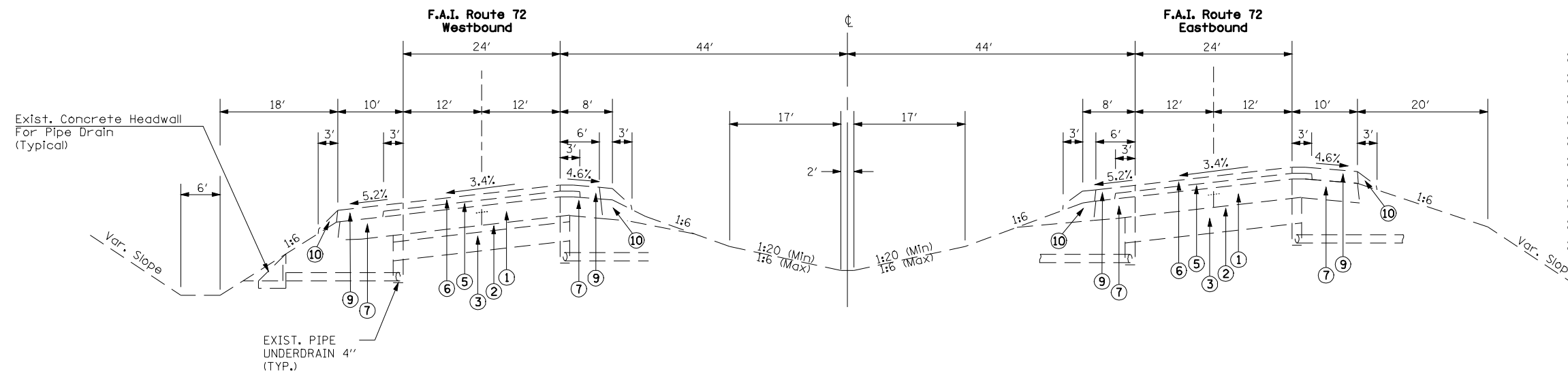


WB Sta. 206+67 to Sta. 207+65
WB Sta. 343+79 to Sta. 427+15.94

2 TYPICAL TANGENT SECTION
EXISTING HMA 4"

EB Sta. 189+84.28 to Sta. 191+75
EB Sta. 206+67 to Sta. 217+84
EB Sta. 338+77 to Sta. 426+87.44

- 1 EXISTING CONTINUOUSLY REINFORCED P. C. C. PAVEMENT 8" (1975)
- 2 EXISTING STABILIZED SUB-BASE ON EARTH BASE 4"
- 3 EXISTING GRANULAR SUB-BASE 8" OR 12" (SPOT LOCATIONS)
- 4 EXISTING HMA CONCRETE 2 1/2" (DATE UNKNOWN)
- 5 EXISTING HMA BINDER COURSE 1 3/4" (1996)
- 6 EXISTING HMA SURFACE COURSE 1 1/2" (1996)
- 7 EXISTING HMA SHOULDER
- 8 EXISTING HMA SHOULDER 1 1/2" (1996)
- 9 EXISTING HMA SHOULDER 3 1/4" (1996)
- 10 EXISTING AGGREGATE SHOULDER, TYPE B



SUPERELEVATION TRANSITION **1** - **4**
WB Sta. 217+84 to Sta. 220+24

WB Sta. 220+24 to Sta. 230+62

SUPERELEVATION TRANSITION **4** - **1**
WB Sta. 230+62 to Sta. 233+02

4 EXISTING SUPERELEVATED SECTION
EXISTING HMA 3 1/4"

SUPERELEVATION TRANSITION **2** - **4**
EB Sta. 217+84 to Sta. 220+24
(Existing Resurfacing ENDS EB Sta 219+14.5)

EB Sta. 220+24 to Sta. 230+62

SUPERELEVATION TRANSITION **4** - **1**
EB Sta. 230+62 to Sta. 233+02

- 20 PROPOSED HMA SURFACE REMOVAL 1 1/2"
- 21 PROPOSED HMA SURFACE REMOVAL 2 1/4"
- 22 PROPOSED HMA SURFACE REMOVAL 3 1/4"
- 23 PROPOSED HMA SURFACE REMOVAL 4"
- 24 PROPOSED BITUMINOUS MATERIALS (PRIMECOAT)
- 25 PROPOSED AGGREGATE (PRIMECOAT)
- 26 PROPOSED HMA BINDER COURSE (2 1/4")
- 27 PROPOSED HMA SURFACE COURSE (1 1/2")
- 28 PROPOSED HMA SHOULDERS (2")
- 29 PROPOSED AGGREGATE SHOULDER, TYPE B

• 86-10RS-3, 69-6RS-2, 69-1RS
•• SCOTT, MORGAN

| | | | |
|--|------------------------------------|------------|-----------|
| FILE NAME = | USER NAME = laughlinr1 | DESIGNED - | REVISED - |
| er:\pwork\pwidot\LAUGHLINRL\0196700\0672A16-sh-typical.dgn | | DRAWN - | REVISED - |
| | PLOT SCALE = 20.000' / IN. | CHECKED - | REVISED - |
| | PLOT DATE = Apr-06-2010 10:24:27AM | DATE - | REVISED - |

STATE OF ILLINOIS
DEPARTMENT OF TRANSPORTATION

EXISTING FAI 72 TYPICAL SECTIONS

SCALE: SHEET NO. OF SHEETS STA. TO STA.

| F.A.I. RTE. | SECTION | COUNTY | TOTAL SHEETS | SHEET NO. |
|---------------------------|---------|--------|--------------|-----------|
| 72 | * | ** | 48 | 11 |
| CONTRACT NO. 72A16 | | | | |
| ILLINOIS FED. AID PROJECT | | | | |

