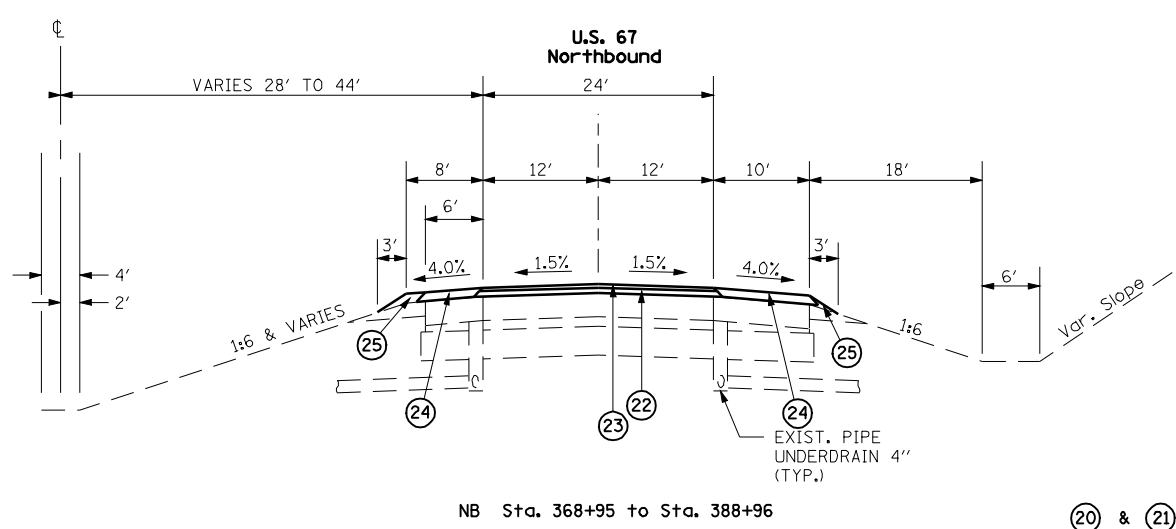
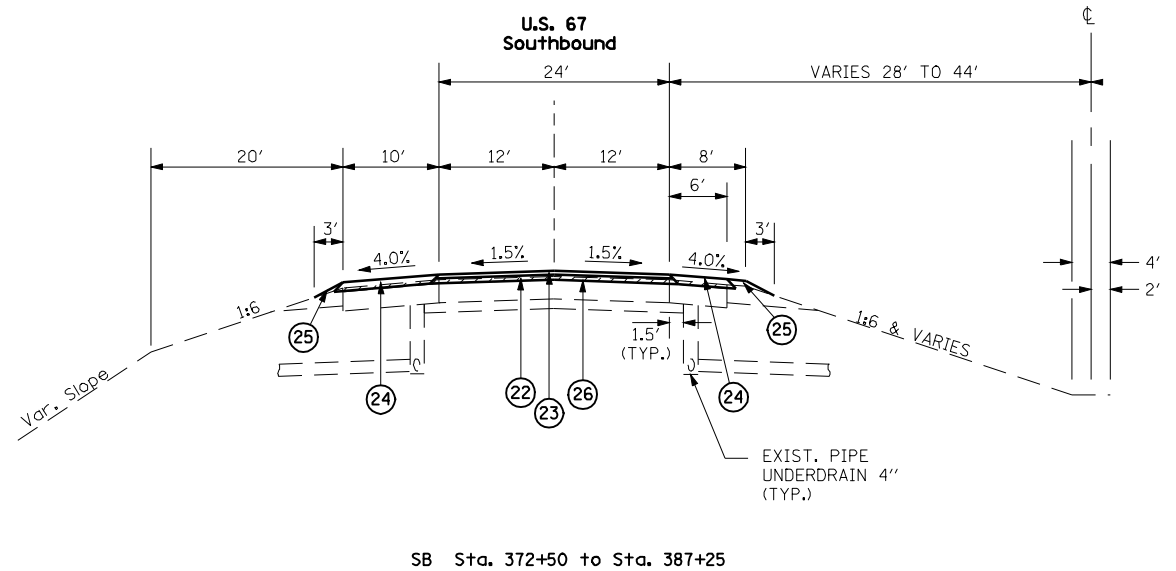
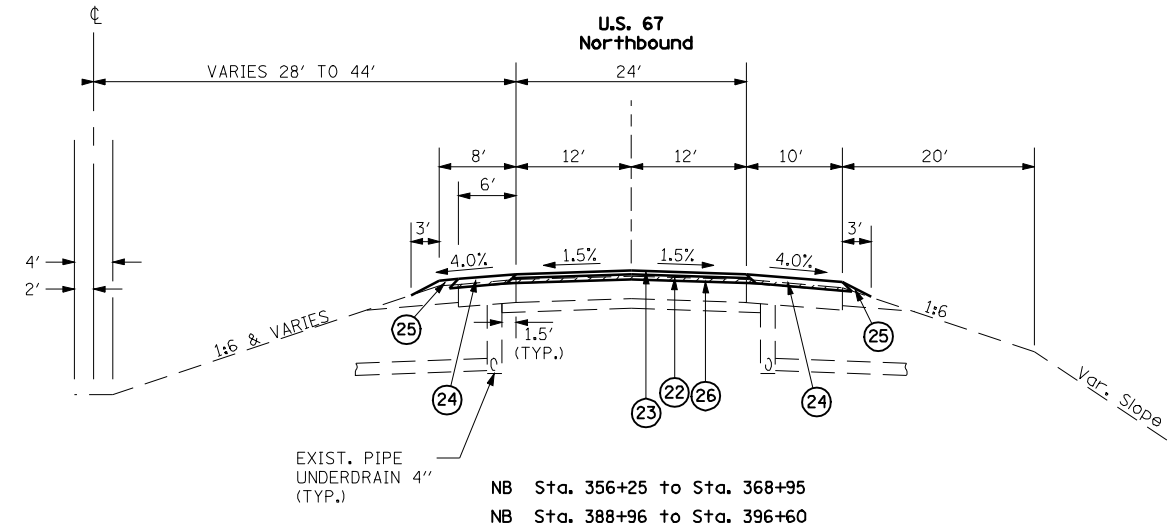


- 1 EXISTING CONTINUOUSLY REINFORCED P. C. C. PAVEMENT 8"
- 2 EXISTING P. C. C. PAVEMENT (JOINTED) 10"
- 3 EXISTING STABILIZED SUB-BASE 4"
- 4 EXISTING LIME MODIFIED SOILS 12"
- 5 EXISTING P. C. C. SHOULDERS 10"
- 6 EXISTING SUBBASE GRANULAR MATERIAL, TYPE C
- 7 EXISTING AGGREGATE SHOULDER, TYPE A 6"
- 8 EXISTING P. C. C. SHOULDERS 8"
- 9 EXISTING HMA RESURFACING (THICKNESS VARIES 1 1/4" TO 3")
- 10 EXISTING HMA SHOULDERS 8"
- 11 EXISTING AGGREGATE SHOULDERS

- 20 PROPOSED BITUMINOUS MATERIALS (PRIMECOAT)
- 21 PROPOSED AGGREGATE (PRIMECOAT)
- 22 PROPOSED HMA BINDER COURSE (2 1/4")
- 23 PROPOSED HMA SURFACE COURSE (1 1/2")
- 24 PROPOSED HMA SHOULDERS (3 3/4")
- 25 PROPOSED AGGREGATE SHOULDER, TYPE B
- 26 PROPOSED HMA SURFACE REMOVAL, VARIABLE DEPTH (REMOVE DOWN TO ORIGINAL PCC SURFACE.)



⓪ & ⓫ - TO BE APPLIED TO ALL EXISTING HMA SURFACES
 • 86-1ORS-3, 69-6RS-2, 69-1RS
 ** SCOTT, MORGAN

FILE NAME =	USER NAME = laughlinr1	DESIGNED -	REVISED -
er:\pwork\PWIDOT\LAUGHLINRL\0196700\0672A16-sh-typical.dgn		DRAWN -	REVISED -
	PLOT SCALE = 20.000' / IN.	CHECKED -	REVISED -
	PLOT DATE = Apr-06-2010 10:24:36AM	DATE -	REVISED -

**STATE OF ILLINOIS
 DEPARTMENT OF TRANSPORTATION**

PROPOSED US 67 TYPICAL SECTIONS			
SCALE:	SHEET NO.	OF SHEETS	STA. TO STA.

F.A.I. RTE.	SECTION	COUNTY	TOTAL SHEETS	SHEET NO.
72	*	**	48	15
CONTRACT NO. 72A16				
ILLINOIS FED. AID PROJECT				