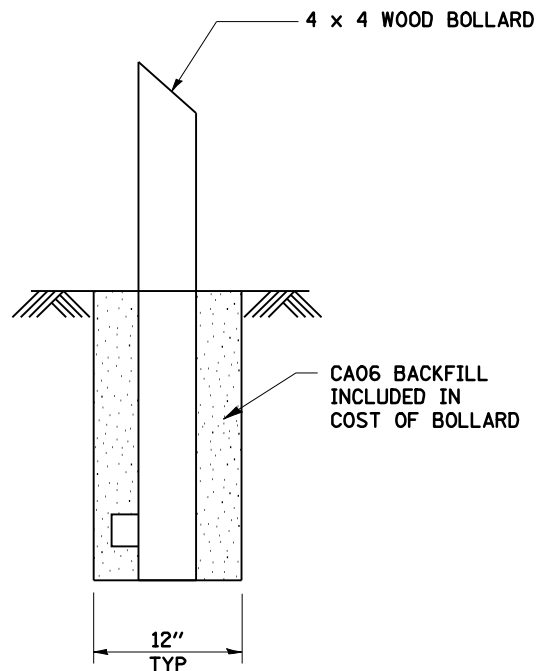


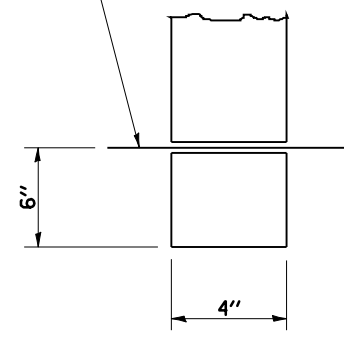
TOPS OF BOLLARDS SHALL BE SLOPED SO WATER DOES NOT PUDDLE



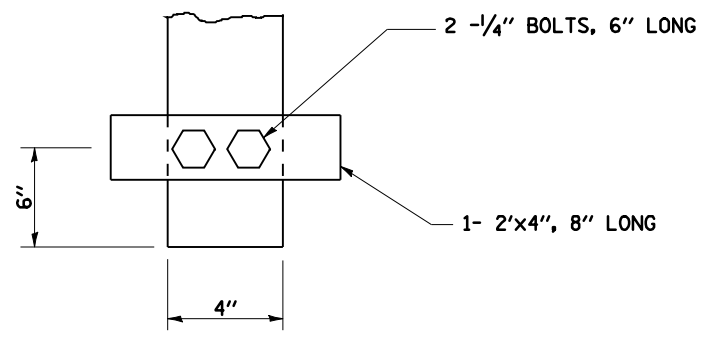
NOTES:

- ① WOOD BOLLARD INSTALLATION SHALL INCLUDE EITHER DETAIL "A" OR "B"
- ② FIVE (5) BOLLARDS SHALL BE PLACED AT EACH LOCATION IDENTIFIED IN THE PLANS. THE WORK OF FURNISHING AND INSTALLING BOLLARDS WILL BE MEASURED AND PAID FOR AT THE CONTRACT UNIT PRICE EACH FOR BOLLARDS.
- ③ EXISTING BOLLARDS SHALL BE REMOVED AND PAID FOR AT THE CONTRACT UNIT PRICE EACH FOR BOLLARD REMOVAL.

1-5# BAR 10" LONG, DRIVEN THRU 5/8" HOLE DRILLED THRU WOOD BOLLARD



DETAIL A



DETAIL B

• 86-10RS-3, 69-6RS-2, 69-1RS
•• SCOTT, MORGAN

FILE NAME =	USER NAME = laughlinr1	DESIGNED -	REVISED -
e:\pwwork\pwidot\LAUGHLINRL\0196700\0672A16-Sht-detail.dgn		DRAWN -	REVISED -
	PLOT SCALE = 100.0000' / IN.	CHECKED -	REVISED -
	PLOT DATE = Apr-06-2010 10:31:00AM	DATE -	REVISED -

**STATE OF ILLINOIS
DEPARTMENT OF TRANSPORTATION**

WOOD BOLLARD DETAIL

SCALE:	SHEET NO.	OF SHEETS	STA.	TO STA.
--------	-----------	-----------	------	---------

F.A.I. RTE.	SECTION	COUNTY	TOTAL SHEETS	SHEET NO.
72	*	**	48	46
FED. ROAD DIST. NO.			ILLINOIS FED. AID PROJECT	
			CONTRACT NO. 72A16	

