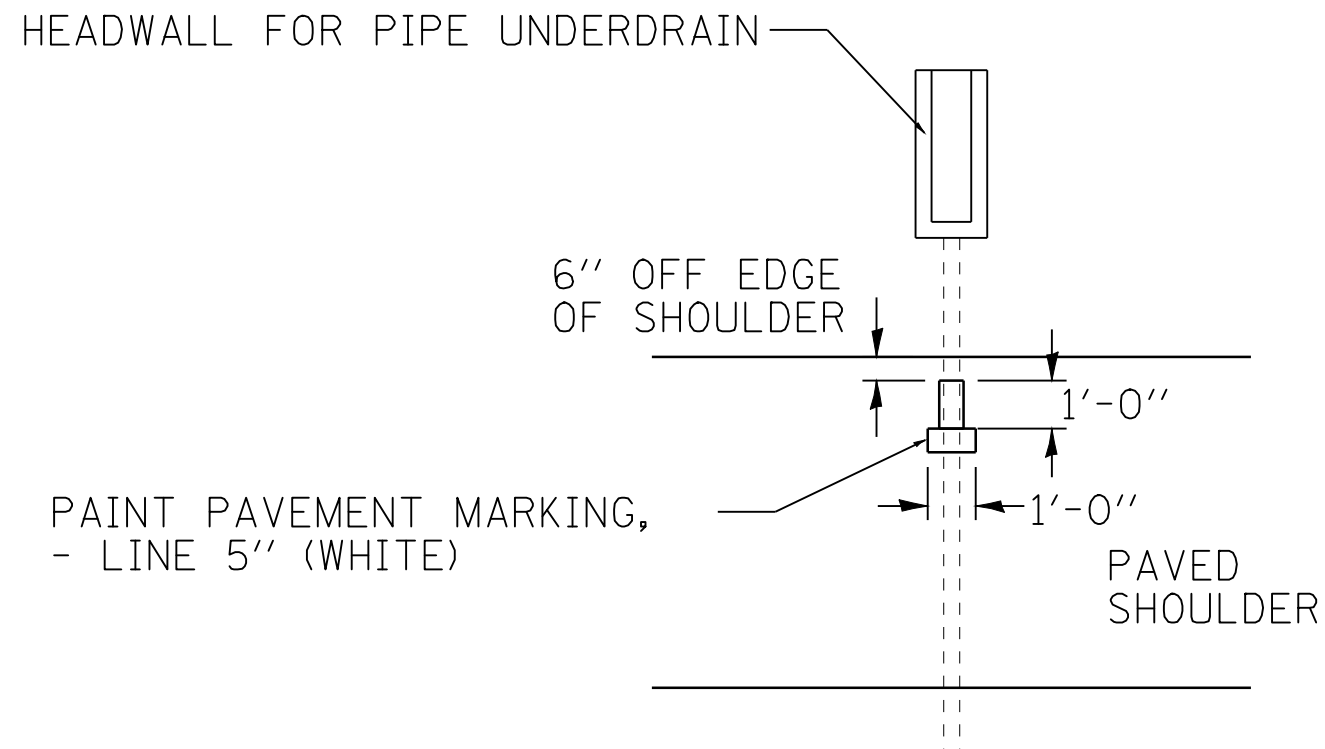


TYPICAL PIPE UNDERDRAIN MARKER DETAIL



OUTLET MARKERS SHALL BE PLACED ON FINAL SHOULDER

• 86-10RS-3, 69-6RS-2, 69-1RS
•• SCOTT, MORGAN

FILE NAME =	USER NAME = laughlinr1	DESIGNED -	REVISED -
er\pwork\pwork\LAUGHLINRL\0196700\0672A16-Sht-detail.dgn		DRAWN -	REVISED -
	PLOT SCALE = 100.0000' / IN.	CHECKED -	REVISED -
	PLOT DATE = Apr-06-2010 10:31:02AM	DATE -	REVISED -

**STATE OF ILLINOIS
DEPARTMENT OF TRANSPORTATION**

**TYPICAL PIPE UNDERDRAIN
MARKER DETAIL**

SCALE: SHEET NO. OF SHEETS STA. TO STA.

F.A.I. RTE.	SECTION	COUNTY	TOTAL SHEETS	SHEET NO.
72	•	••	48	47
CONTRACT NO. 72A16				
FED. ROAD DIST. NO. ILLINOIS FED. AID PROJECT				

