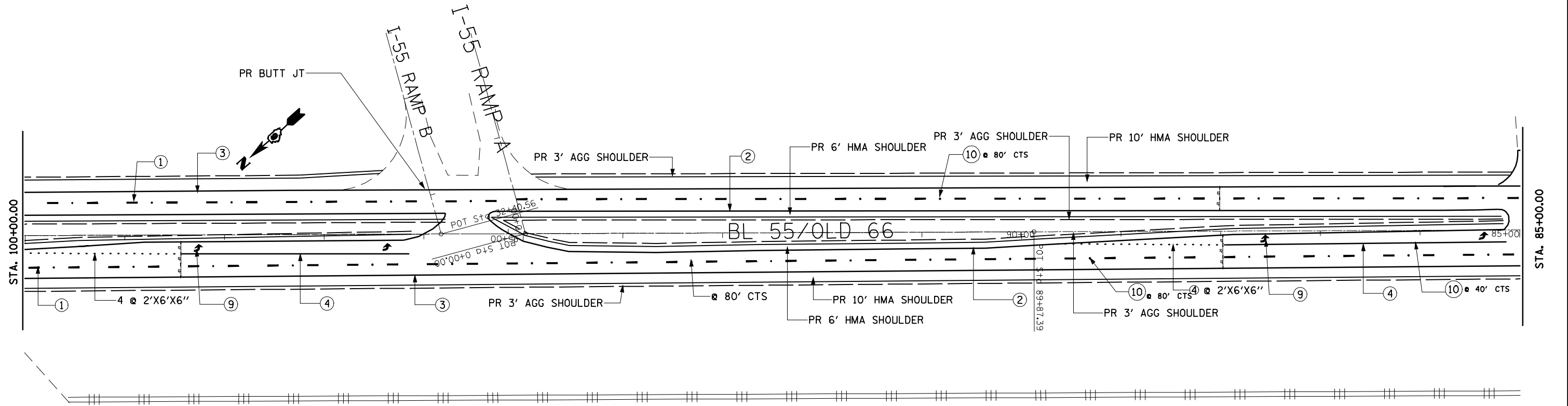
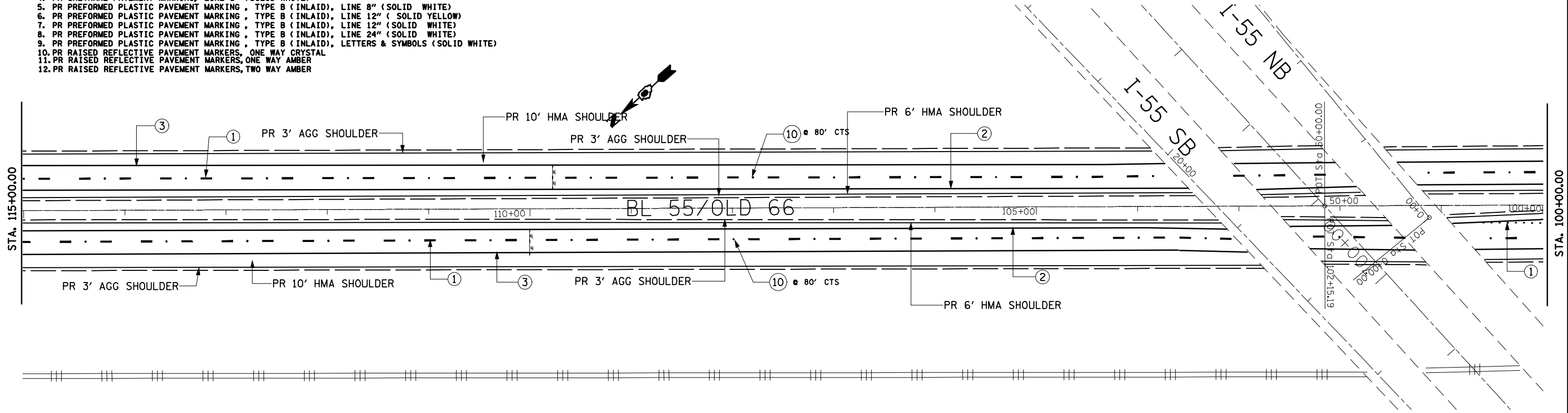


1. PR PREFORMED PLASTIC PAVEMENT MARKING, TYPE B (INLAID), LINE 5" (30' SKIP, 10' WHITE DASH)
2. PR URETHANE PAVEMENT MARKING, LINE 5" (SOLID YELLOW)
3. PR URETHANE PAVEMENT MARKING, LINE 5" (SOLID WHITE)
4. PR URETHANE PAVEMENT MARKING, LINE 6" (SOLID WHITE)
5. PR PREFORMED PLASTIC PAVEMENT MARKING, TYPE B (INLAID), LINE 8" (SOLID WHITE)
6. PR PREFORMED PLASTIC PAVEMENT MARKING, TYPE B (INLAID), LINE 12" (SOLID YELLOW)
7. PR PREFORMED PLASTIC PAVEMENT MARKING, TYPE B (INLAID), LINE 12" (SOLID WHITE)
8. PR PREFORMED PLASTIC PAVEMENT MARKING, TYPE B (INLAID), LINE 24" (SOLID WHITE)
9. PR PREFORMED PLASTIC PAVEMENT MARKING, TYPE B (INLAID), LINE 24" (SOLID WHITE)
10. PR RAISED REFLECTIVE PAVEMENT MARKERS, ONE WAY CRYSTAL
11. PR RAISED REFLECTIVE PAVEMENT MARKERS, ONE WAY AMBER
12. PR RAISED REFLECTIVE PAVEMENT MARKERS, TWO WAY AMBER



* 1773/ 7706

FILE NAME =	USER NAME = laughlinr1	DESIGNED -	REVISED -
er:\pwork\PWIDOT\LAUGHLINRL\0151693\sheet.dgn		DRAWN -	REVISED -
PLOT SCALE = 100.0000' / IN.		CHECKED -	REVISED -
PLOT DATE = Apr-09-2010 11:28:26AM		DATE -	REVISED -

**STATE OF ILLINOIS
DEPARTMENT OF TRANSPORTATION**

PLAN VIEW PART "A" FAS 1773	
SCALE: 50	SHEET NO. OF SHEETS STA. 115+00.00 TO STA. 85+00.00

F.A. RTE.	SECTION	COUNTY	TOTAL SHEETS	SHEET NO.
*	21RS-4 22RS-5	LOGAN	31	15
CONTRACT NO. 72A44				
ILLINOIS FED. AID PROJECT				