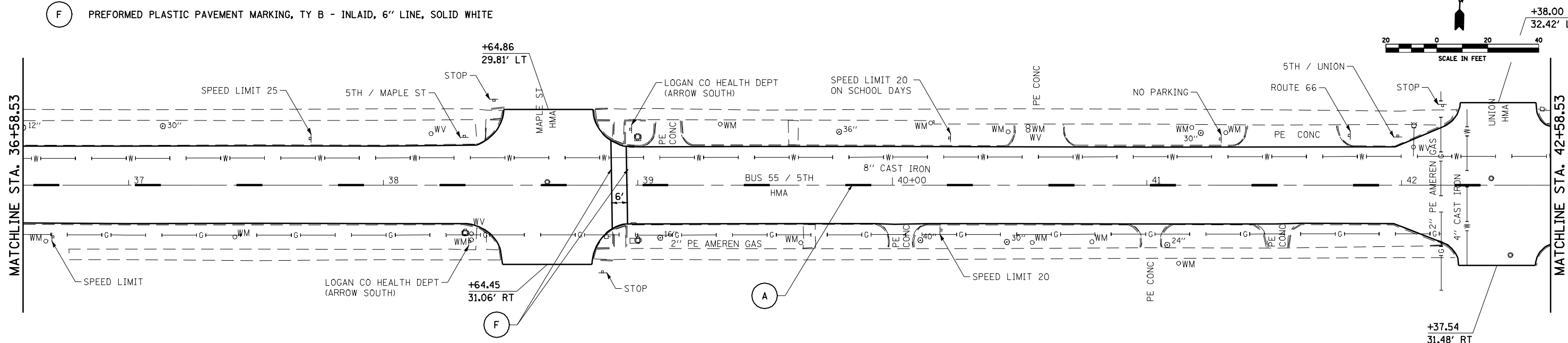


LEGEND

- (A) PREFORMED PLASTIC PAVEMENT MARKING, TY B, INLAID, 5", SKIP-DASH YELLOW
- (B) THERMOPLASTIC PAVEMENT MARKING, 5" LINE, SOLID WHITE
- (C) PREFORMED PLASTIC PAVEMENT MARKING, TY B, INLAID, 24" LINE, SOLID WHITE
- (D) THERMOPLASTIC PAVEMENT MARKING, 5" LINE, DOUBLE YELLOW
- (E) THERMOPLASTIC PAVEMENT MARKING, 12" LINE, SOLID DIAGONALS YELLOW @ 20' CENTERS
- (F) PREFORMED PLASTIC PAVEMENT MARKING, TY B - INLAID, 6" LINE, SOLID WHITE



FILE NAME = e:\pwwork\pwwid001\LAUGHLINRL\dms50958\672838-SHT-pmk.dgn	USER NAME = laughlinr1	DESIGNED -	REVISED -	STATE OF ILLINOIS DEPARTMENT OF TRANSPORTATION	PLAN & PAVEMENT MARKING SHEET			F.A.U. RTE.	SECTION	COUNTY	TOTAL SHEETS	SHEET NO.
	PLOT SCALE = 40.0000' / IN.	CHECKED -	REVISED -					7708	20RS-1 (22 & 23)RS-4	LOGAN	28	13
PLOT DATE = Apr-09-2010 09:52:34AM	DATE -	REVISED -	REVISED -	SCALE:	SHEET NO.	OF SHEETS	STA.	TO STA.	CONTRACT NO. 72B38 ILLINOIS FED. AID PROJECT			