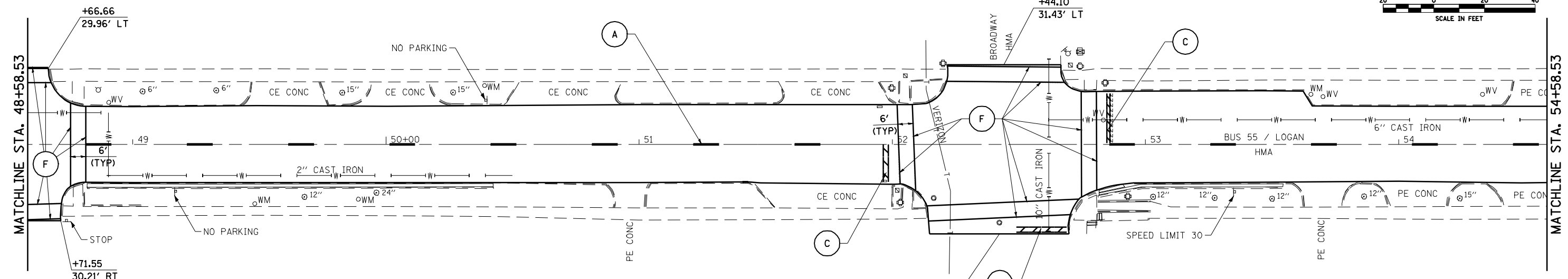
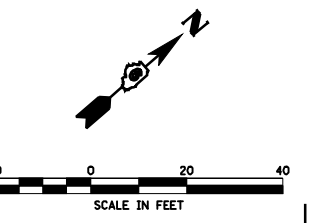
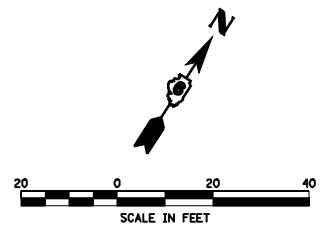


LEGEND

- (A) PREFORMED PLASTIC PAVEMENT MARKING, TY B, INLAID, 5", SKIP-DASH YELLOW
- (B) THERMOPLASTIC PAVEMENT MARKING, 5" LINE, SOLID WHITE
- (C) PREFORMED PLASTIC PAVEMENT MARKING, TY B, INLAID, 24" LINE, SOLID WHITE
- (D) THERMOPLASTIC PAVEMENT MARKING, 5" LINE, DOUBLE YELLOW
- (E) THERMOPLASTIC PAVEMENT MARKING, 12" LINE, SOLID DIAGONALS YELLOW @ 20' CENTERS
- (F) PREFORMED PLASTIC PAVEMENT MARKING, TY B - INLAID, 6" LINE, SOLID WHITE



FILE NAME =	USER NAME = laughlinr1	DESIGNED -	REVISED -	STATE OF ILLINOIS DEPARTMENT OF TRANSPORTATION	PLAN & PAVEMENT MARKING SHEET			F.A.U. RTE.	SECTION	COUNTY	TOTAL SHEETS	SHEET NO.
e:\pwwork\pwwid\LAUGHLINRL\dms50958\0672838-SHT-pmk.dgn	PLOT SCALE = 40.0000' / IN.	DRAWN -	REVISED -					7708	20RS-1 (22 & 23)RS-4	LOGAN	28	14
PLOT DATE = Apr-09-2010 09:52:38AM	DATE -	CHECKED -	REVISED -		SCALE: SHEET NO. OF SHEETS STA. TO STA.			CONTRACT NO. 72B38				
					ILLINOIS FED. AID PROJECT							