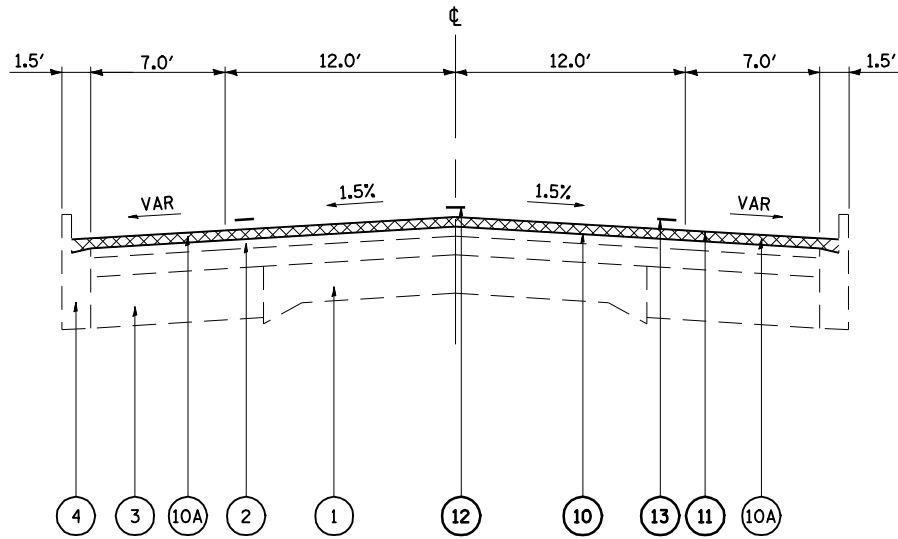


STA. 18+50.00 - 22+06.00  
(CONGRESS STREET)

LEGEND

- ① EXISTING PCC PAVEMENT (9-6-9)
- ② EXISTING HOT-MIX ASPHALT SURFACE COURSE
- ③ EXISTING PCC WIDENING (8")
- ④ EXISTING CONCRETE CURB & GUTTER
- ⑤ EXISTING NATURAL CEMENT BASE (4")
- ⑥ EXISTING SAND CUSHION (1 1/2")
- ⑦ EXISTING BRICK ON EDGE
- ⑧ EXISTING SANDSTONE CURB
- ⑨ EXISTING OPEN-GRADED ASPHALT FRICTION COURSE
- ⑩ PROPOSED HOT-MIX ASPHALT SURFACE REMOVAL (2")
- ⑩A PROPOSED HOT-MIX ASPHALT SURFACE REMOVAL, VARIABLE DEPTH
- ⑪ PROPOSED HOT-MIX ASPHALT SURFACE COURSE, MIX "D" (2")
- ⑫ PROPOSED PREFORMED PLASTIC PAVEMENT MARKING, LINE, SKIP-DASH, YELLOW (5")
- ⑬ PROPOSED THERMOPLASTIC PAVEMENT MARKING, LINE, SOLID, WHITE (5")

••NOTE: MAINLINE OVERLAY THICKNESS 3/4" GREATER THAN PARKING LANE OVERLAY.  
MILL 2" ALONG GUTTER LINE AND VARY DEPTH OF MILLING ACROSS PARKING LANE TO  
MATCH MILLED DEPTH AT MAINLINE EDGE OF PAVEMENT.



STA. 22+06.00 - 24+06.00  
(CONGRESS STREET)

FILE NAME =	USER NAME = laughlinr1	DESIGNED -	REVISED -	<b>STATE OF ILLINOIS DEPARTMENT OF TRANSPORTATION</b>	<b>TYPICAL SECTIONS</b>			F.A.P. RTE.	SECTION	COUNTY	TOTAL SHEETS	SHEET NO.
es:\pwork\pwork\LAUGHLINRL\0177182\0672B40-ah-typical.dgn		DRAWN -	REVISED -		317	11RS-4 & (6CS)RS-4,I	SCHUYLER	8	17			
PLOT SCALE = 10.0000 ' / IN.		CHECKED -	REVISED -		CONTRACT NO. 72B40			ILLINOIS FED. AID PROJECT				
PLOT DATE = Mar-25-2010 04:01:42PM		DATE -	REVISED -		SCALE:	SHEET NO. 8 OF 17 SHEETS	STA.	TO STA.				