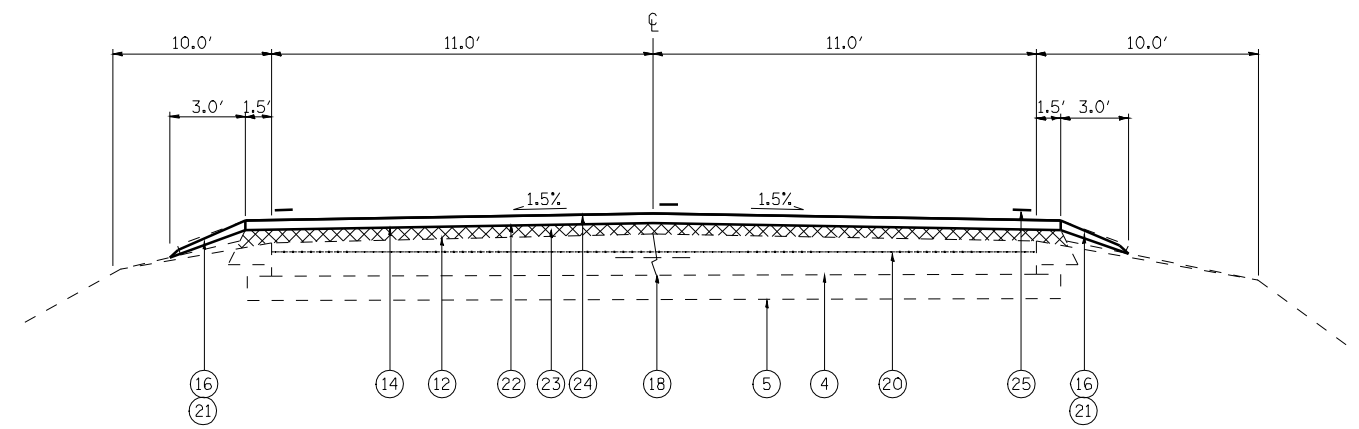
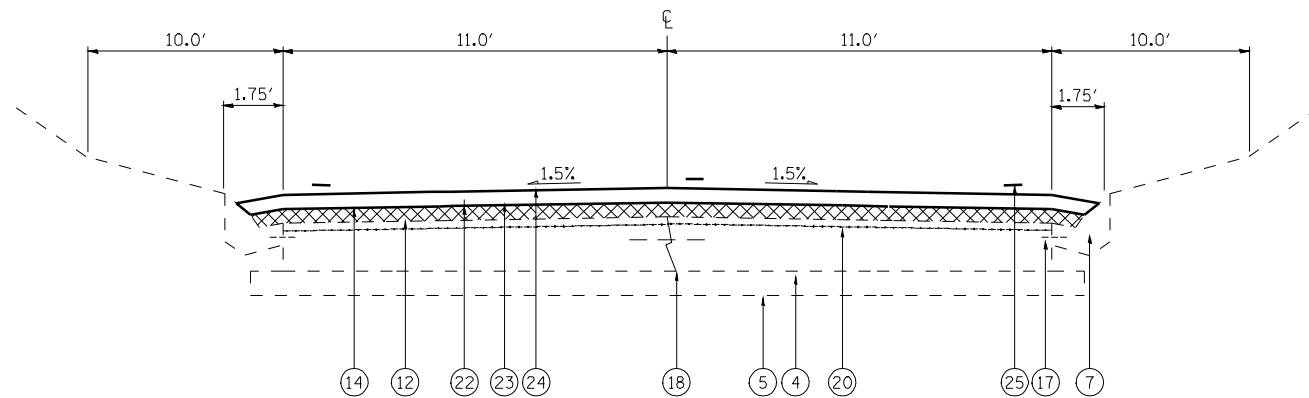


STA. 1089+56.37 TO 1100+23.07
 STA. 1124+37.30 TO 1125+06
 STA. 1126+53 TO 1134+75

NOTE: OMISSION STA. 1125+06 STA. 1126+53 SN 075-0011



STA. 1078+00 TO 1089+56.37
 STA. 1100+23.07 TO 1100+39
 STA. 1117+78 TO 1124+37.30



STA. 1100+39 TO 1117+78

NOTE: GUTTER BEGINS LT. STA. 1101+34
 GUTTER ENDS RT. STA. 1117+33

LEGEND

- (1) EXISTING P.C.C. PAVEMENT, 9'-6"-9"
- (2) EXISTING P.C.C. BASE COURSE, 9"
- (3) EXISTING P.C.C. BASE COURSE WIDENING, 9"
- (4) EXISTING P.C.C. PAVEMENT, 9"
- (5) EXISTING SUB-BASE GRANULAR MATERIAL, 6"
- (6) EXISTING SUB-BASE GRANULAR MATERIAL, 12"
- (7) EXISTING CONCRETE CURB & GUTTER, TYPE B
- (8) EXISTING CONCRETE CURB & GUTTER, TYPE B-6.12
- (9) EXISTING HOT-MIX ASPHALT CONCRETE, 7.5"
- (10) EXISTING HOT-MIX ASPHALT CONCRETE, 6"
- (11) EXISTING HOT-MIX ASPHALT CONCRETE, 3"
- (12) EXISTING LEVELING BINDER (MACHINE METHOD) TYPE 2, 1"
- (13) EXISTING LEVELING BINDER (MACHINE METHOD) TYPE 2, 0.75"
- (14) EXISTING HOT-MIX ASPHALT CONCRETE SURFACE COURSE, MIX C, CLASS I, TYPE 2, 1.5"
- (15) EXISTING HOT-MIX ASPHALT CRACK CONTROL TREATMENT
- (16) EXISTING AGGREGATE SHOULDERS, TYPE A
- (17) EXISTING 0.5" DEFORMED BAR
- (18) EXISTING 0.5" DEFORMED BAR AND LONGITUDINAL METAL JOINT
- (19) EXISTING 0.75" SMOOTH BAR
- (20) EXISTING FABRIC PAVEMENT
- (21) PROPOSED AGGREGATE SHOULDERS, TYPE B
- (22) PROPOSED HOT MIX ASPHALT SURFACE REMOVAL (VARIABLE DEPTH)
- (23) PROPOSED LEVELING BINDER, 0.75"
- (24) PROPOSED HOT MIX ASPHALT SURFACE COURSE, MIX C, 1 1/2"
- (25) PROPOSED PAVEMENT MARKING, LINE - 5"

FILE NAME =	USER NAME = laughlinr1	DESIGNED -	REVISED -
er:\pwork\PWIDOT\LAUGHLINRL\dms25724\672b45-sh-t-typico1.dgn		DRAWN - BMD	REVISED -
PLOT SCALE = 40.0000' / IN.		CHECKED -	REVISED -
PLOT DATE = Apr-07-2010 11:37:15AM		DATE - 7/15/08	REVISED -

**STATE OF ILLINOIS
 DEPARTMENT OF TRANSPORTATION**

TYPICAL SECTIONS

SCALE: SHEET NO. 4 OF 6 SHEETS STA. TO STA.

F.A.P. RTE.	SECTION	COUNTY	TOTAL SHEETS	SHEET NO.
757	(20)XRS-5; (21)XRS-3	PIKE	34	10
CONTRACT NO. 72B45				
FED. ROAD DIST. NO. ILLINOIS FED. AID PROJECT				