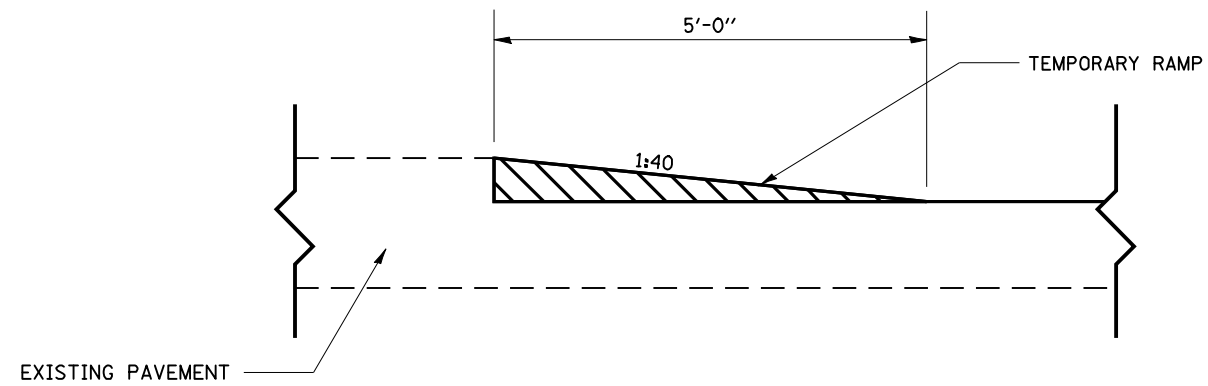


BUTT JOINT DETAILS



TEMPORARY RAMP DETAILS

FILE NAME =	USER NAME = laughlinr1	DESIGNED -	REVISED -	STATE OF ILLINOIS DEPARTMENT OF TRANSPORTATION	BUTT JOINT AND TEMPORARY RAMP DETAILS			F.A.P. RTE.	SECTION	COUNTY	TOTAL SHEETS	SHEET NO.
e:\pwork\work\PWIDOT\LAUGHLINRL\dms26879\0672886-Shit-Detail.dgn		DRAWN -	REVISED -		745	105RS-7, 106RS-5	ADAMS	47	47			
PLOT SCALE = 40.0000' / IN.		CHECKED -	REVISED -		CONTRACT NO. 72B86							
PLOT DATE = Apr-02-2010 07:27:20AM		DATE -	REVISED -		SCALE:	SHEET NO. 1 OF 1 SHEETS	STA.	TO STA.	FED. ROAD DIST. NO. 6 ILLINOIS FED. AID PROJECT			