

STA 531+66.60 TO STA 536+85.00
 STA 539+50.00 TO STA 549+69.08
 STA 559+35.71 TO STA 583+50.00

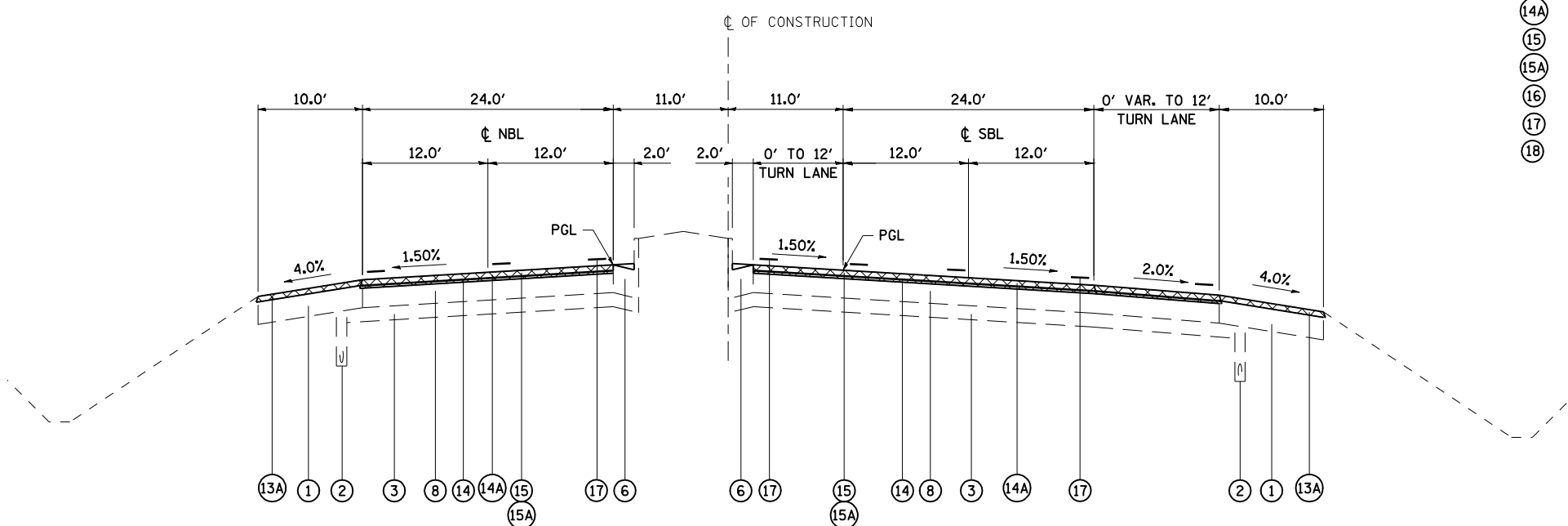
(15A) USED ONLY FROM STA 559+35.71 TO STA 560+00.00

STATION EQUATION:
 STA. 535+21.46 (BK) = STA. 535+20.39 (AH)

STRUCTURE NO. 084-0168 OMISSION
 STA 572+57.50 TO STA 573+62.50
 STRUCTURE NO. 084-0169 OMISSION
 STA 579+65.11 TO STA 581+80.60

LEGEND

- ① EX HOT-MIX ASPHALT SHOULDERS, 10 1/2"
- ② EX PIPE UNDERDRAIN
- ③ EX STABILIZED SUBBASE 4"
- ④ EX PCC PAVEMENT 9"-6"-9"
- ⑤ EX HOT-MIX ASPHALT SURFACE, 2 1/2"
- ⑥ EX CONCRETE CURB & GUTTER B 9.24
- ⑦ EX CONCRETE CURB & GUTTER B 6.24
- ⑦A EX CONCRETE CURB & GUTTER M6.06
- ⑧ EX PCC PAVEMENT 8"
- ⑨ EX PCC BASE COURSE 9"
- ⑩ EX COMBINATION CURB & GUTTER TYPE B 6.18
- ⑪ EX SUBBASE GRANULAR MATERIAL, TYPE B 12" & VAR.
- ⑫ EX HOT-MIX ASPHALT CONCRETE BASE COURSE 10"
- ⑬ EX HOT-MIX ASPHALT CONCRETE SURFACE COURSE, MIX E, CLASS 1, TYPE 2
- ⑬A PR PAVED SHOULDER REMOVAL, 1 1/2"
- ⑭ PR HOT-MIX ASPHALT SURFACE REMOVAL 2 1/2"
- ⑭A PR LEVELING BINDER 1"
- ⑮ PR HOT-MIX ASPHALT SURFACE COURSE, MIX "D", N70 - 1 1/2"
- ⑮A PR HOT-MIX ASPHALT SURFACE COURSE, POLYMER MIX "D", N70 - 1 1/2"
- ⑯ PR HOT-MIX ASPHALT SHOULDERS, 8"
- ⑰ PR PAVEMENT MARKING, LINE 5"
- ⑱ PCC SIDEWALK



(15A) USED ONLY FROM STA 549+00.00 TO STA 560+00.00

STA 536+85.00 TO STA 539+50.00
 STA 549+69.08 TO STA 555+00.00

FILE NAME =	USER NAME = laughlinr1	DESIGNED -	REVISED -
et:\pwork\PWIDOT\LAUGHLINRL\dms47710\0672C35-shr-typicol-1129.dgn		DRAWN -	REVISED -
	PLOT SCALE = 15.0000 "/td> <td>CHECKED -</td> <td>REVISED -</td>	CHECKED -	REVISED -
	PLOT DATE = Apr-30-2010 11:14:52AM	DATE -	REVISED -

STATE OF ILLINOIS
 DEPARTMENT OF TRANSPORTATION

TYPICAL SECTIONS - SECTION "A" IL 29
 (OLD IL 29 - J. DAVID JONES PKWY/WALNUT ST)

SCALE: SHEET NO. 1 OF 9 SHEETS STA. TO STA.

F.A.P. RTE.	SECTION	COUNTY	TOTAL SHEETS	SHEET NO.
658		SANGAMON	206	39
CONTRACT NO. 72C35				