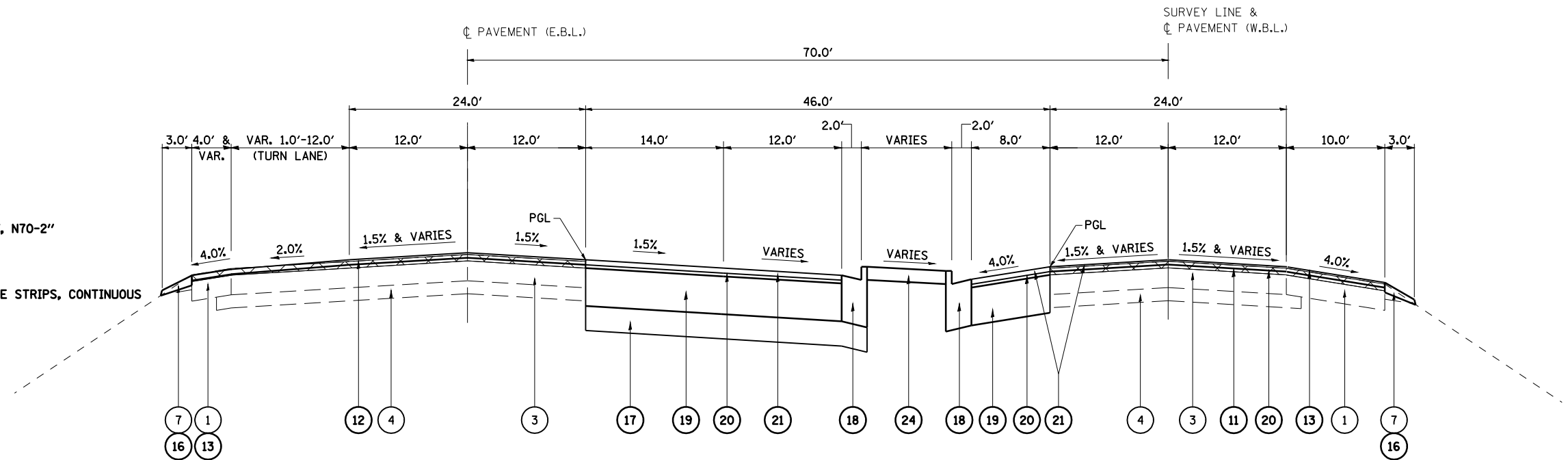


EXISTING TYPICAL SECTION WITH REMOVAL

STA. 100+49.35 - 101+30.00 - INTERSECTION
 STA. 101+30.00 - 102+90.00

* M-6.24 ADJACENT TO BURIED LT TURN LANE &
 M-6.06 ADJACENT TO HOT-MIX ASPHALT SHOULDER

- ① EXISTING HOT-MIX ASPHALT SHOULDERS
- ② EXISTING HOT-MIX ASPHALT SHOULDERS WITH STD. 2438 RUMBLE STRIPS, CONTINUOUS
- ③ EXISTING PCC PAVEMENT (8")
- ④ EXISTING STABILIZED SUB-BASE (4")
- ⑤ EXISTING SUB-BASE GRANULAR MATERIAL, TY C
- ⑥ EXISTING CONCRETE CURB & GUTTER
- ⑥A EXISTING CONCRETE CURB & GUTTER M-2.12 OR M-4.12
- ⑥B EXISTING CONCRETE CURB & GUTTER M-2.24 OR M-4.24
- ⑦ EXISTING AGGREGATE SHOULDERS, TY B
- ⑧ EXISTING CONCRETE MEDIAN (4" OR 6")
- ⑨ EXISTING SOLID MEDIAN, STD. 2122
- ⑩ EXISTING BITUMINOUS CONCRETE PAVEMENT (FULL DEPTH), 13.5"
- ⑪ PROPOSED HOT-MIX ASPHALT SURFACE REMOVAL (2")
- ⑫ PROPOSED HOT-MIX ASPHALT SURFACE COURSE, POLYMER MIX "D", N70-2"
- ⑬ PROPOSED HOT-MIX ASPHALT SHOULDERS (2")
- ⑭ PROPOSED HOT-MIX ASPHALT SHOULDERS WITH STD. 2438 RUMBLE STRIPS, CONTINUOUS
- ⑮ PROPOSED PAVEMENT MARKING, LINE (5")
- ⑯ PROPOSED AGGREGATE SHOULDERS, TYPE B
- ⑰ PROPOSED SUB-BASE GRANULAR MATERIAL, TYPE A, 8"
- ⑱ PROPOSED COMBINED CONCRET E CURB & GUTTER, TYPE M 4.24
- ⑲ PROPOSED HOT-MIX ASPHALT BASE COURSE, 11"
- ⑳ PROPOSED LEVELING BINDER (MACHINE METHOD), 1" & VAR. DEPTH
- ㉑ PROPOSED HOT-MIX ASPHALT SURFACE COURSE, 1.5"
- ㉒ PROPOSED HOT-MIX ASPHALT SHOULDERS, 8"
- ㉓ PROPOSED SUB-BASE GRANULAR MATERIAL, TYPE B, VAR. DEPTH
- ㉔ PROPOSED CONCRETE MEDIAN SURFACE, 4"



PROPOSED TYPICAL SECTION

STA. 100+49.35 - 101+30.00 - INTERSECTION
 STA. 101+30.00 - 102+90.00

FILE NAME =	USER NAME = laughlinr1	DESIGNED -	REVISED -	STATE OF ILLINOIS DEPARTMENT OF TRANSPORTATION	TYPICAL SECTIONS, SECTION "B" (IL 4), VETERANS PKWY			F.A.P. RTE.	SECTION	COUNTY	TOTAL SHEETS	SHEET NO.
et:\pwwork\pwwid\LAUGHLINRL\dms47710\672c35-sht-typicals-veterans.dgn	PLOT SCALE = 20.0000' / IN.	DRAWN -	REVISED -					658	.	SANGAMON	206	48
PLOT DATE = Apr-30-2010 11:51:34M	DATE -	CHECKED -	REVISED -		SCALE: SHEET NO. 1 OF 10 SHEETS STA. TO STA.			ILLINOIS FED. AID PROJECT				
										CONTRACT NO. 72C35		