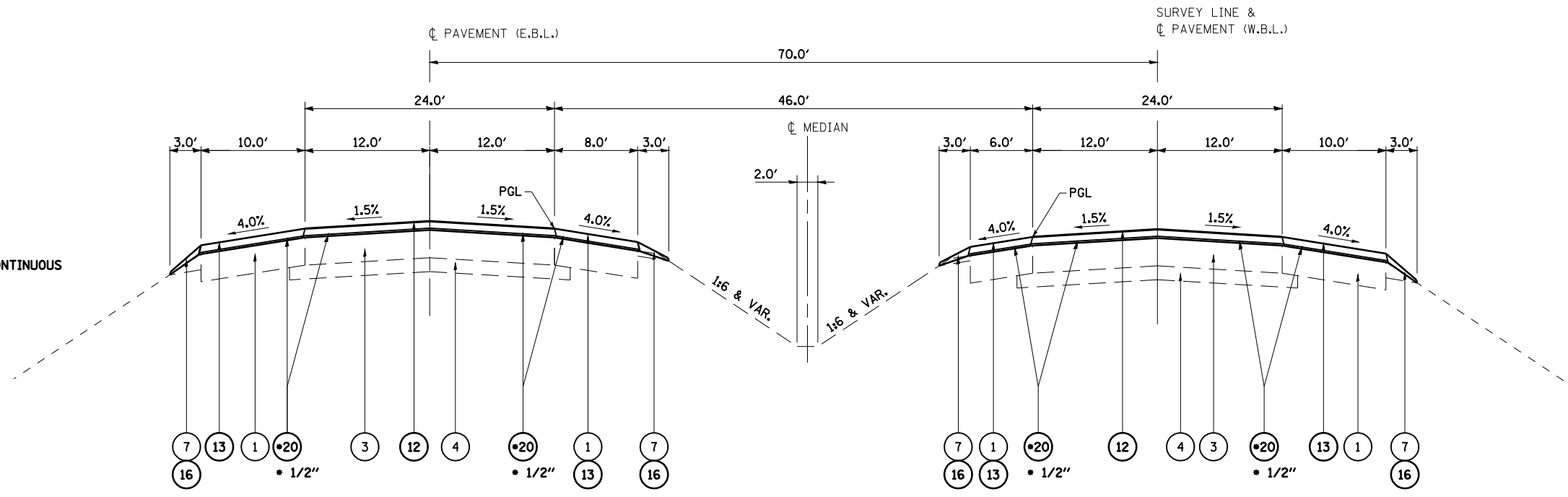


STA. 112+50.00 - 116+ 58.26, NO LEFT TURN LANE



STA. 116+58.26 - 117+50.00

- 1 EXISTING HOT-MIX ASPHALT SHOULDERS
- 2 EXISTING HOT-MIX ASPHALT SHOULDERS WITH STD. 2438 RUMBLE STRIPS, CONTINUOUS
- 3 EXISTING PCC PAVEMENT (8")
- 4 EXISTING STABILIZED SUB-BASE (4")
- 5 EXISTING SUB-BASE GRANULAR MATERIAL, TY C
- 6 EXISTING CONCRETE CURB & GUTTER
- 6A EXISTING CONCRETE CURB & GUTTER M-2.12 OR M-4.12
- 6B EXISTING CONCRETE CURB & GUTTER M-2.24 OR M-4.24
- 7 EXISTING AGGREGATE SHOULDERS, TY B
- 8 EXISTING CONCRETE MEDIAN (4" OR 6")
- 9 EXISTING SOLID MEDIAN, STD. 2122
- 10 EXISTING BITUMINOUS CONCRETE PAVEMENT (FULL DEPTH), 13.5"
- 11 PROPOSED HOT-MIX ASPHALT SURFACE REMOVAL (2")
- 12 PROPOSED HOT-MIX ASPHALT SURFACE COURSE, POLYMER MIX "D", N70-2"
- 13 PROPOSED HOT-MIX ASPHALT SHOULDERS (2")
- 14 PROPOSED HOT-MIX ASPHALT SHOULDERS WITH STD. 2438 RUMBLE STRIPS, CONTINUOUS
- 15 PROPOSED PAVEMENT MARKING, LINE (5")
- 16 PROPOSED AGGREGATE SHOULDERS, TYPE B
- 17 PROPOSED SUB-BASE GRANULAR MATERIAL, TYPE A, 8"
- 18 PROPOSED COMBINED CONCRET E CURB & GUTTER, TYPE M 4.24
- 19 PROPOSED HOT-MIX ASPHALT BASE COURSE, 11"
- 20 PROPOSED LEVELING BINDER (MACHINE METHOD), 1" & VAR. DEPTH
- 21 PROPOSED HOT-MIX ASPHALT SURFACE COURSE, 1.5"
- 22 PROPOSED HOT-MIX ASPHALT SHOULDERS, 8"
- 23 PROPOSED SUB-BASE GRANULAR MATERIAL, TYPE B, VAR. DEPTH
- 24 PROPOSED CONCRETE MEDIAN SURFACE, 4"

FILE NAME =	USER NAME = laughlinr1	DESIGNED -	REVISED -	STATE OF ILLINOIS DEPARTMENT OF TRANSPORTATION	TYPICAL SECTIONS, SECTION "B" (IL 4), VETERANS PKWY	DRAWN -	REVISED -	F.A.P. RTE.	SECTION	COUNTY	TOTAL SHEETS	SHEET NO.	
										•	SANGAMON	206	51
										CONTRACT NO. 72C35			
										ILLINOIS FED. AID PROJECT			
PLOT SCALE = 20.0000' / IN.		CHECKED -			SCALE:	SHEET NO. 4 OF 10 SHEETS		STA.		TO STA.			
PLOT DATE = Apr-30-2010 11:15:21AM		DATE -			1-1(RS,TS-1)27RS-6102RS-4								