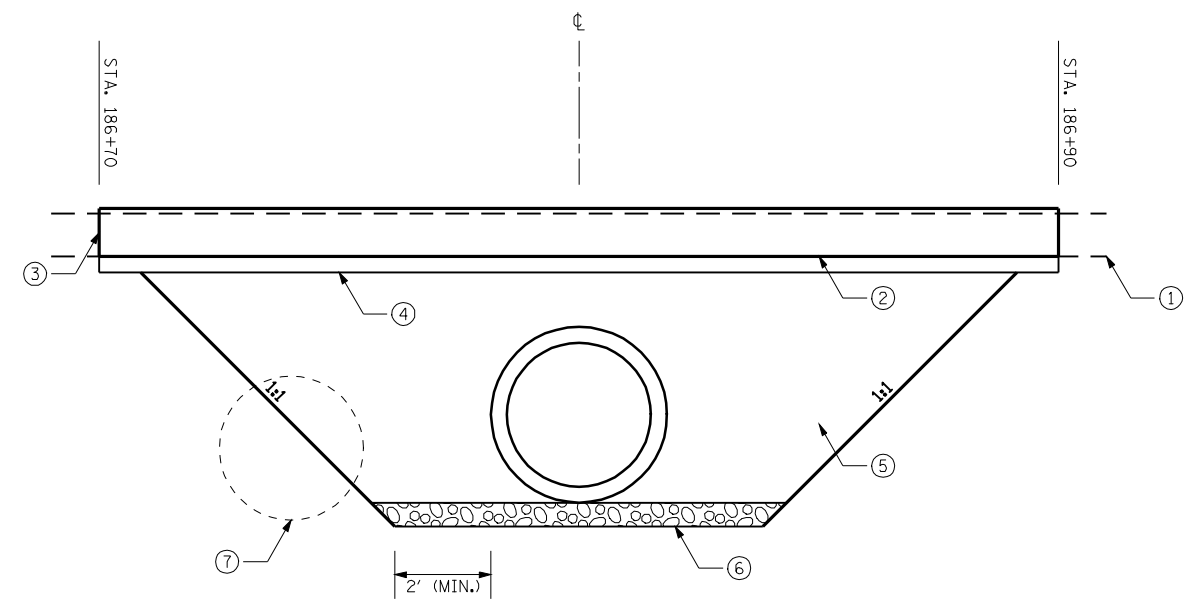


BM 19 SET CHISLED SQUARE ON HEADWALL
FOR A 36" CMP ON THE W. SIDE OF IL. 107.
ELEV. 686.25

STA. 186+80
PROP. PIPE CULVERT, CLASS A, TYPE 1 36"
W/PRC FLARED END SECTIONS 36"
USFL=684.80 DSFL=683.00



- ① EXIST. PAVEMENT
- ② PROP. PAVEMENT PATCHING, TYPE IV, 11 INCH
- ③ PROP. FULL DEPTH SAW CUT (TYPICAL) - INCLUDED IN COST OF PATCH
- ④ PROP. SUB-BASE GRANULAR MATERIAL, TYPE A 4"
- ⑤ PROP. TRENCH BACKFILL, SPECIAL
- ⑥ PROP. POROUS GRANULAR MATERIAL 6" (INCLUDED IN COST OF PATCH)
- ⑦ EXIST. CULVERT (UPSTREAM SECTION SHOWN)

PAVEMENT PATCHING DETAIL

NOTE: SEE CROSS SECTIONS FOR ADDITIONAL INFORMATION

FILE NAME =	USER NAME = laughlinr1	DESIGNED -	REVISED -	STATE OF ILLINOIS DEPARTMENT OF TRANSPORTATION	CULVERT PLAN AND PAVEMENT PATCHING DETAIL			F.A.P. RTE.	SECTION	COUNTY	TOTAL SHEETS	SHEET NO.
er\pwork\PWIDOT\LAUGHLINRL\0200040	672C37-shr-detaila3.dgn	DRAWN -	REVISED -		554	16(RS-6) & 18(RS-6)	BROWN	49	44			
	PLOT SCALE = 40.000' / IN.	CHECKED -	REVISED -		CONTRACT NO. 72C37							
	PLOT DATE = Apr-08-2010 03:20:27PM	DATE -	REVISED -		SCALE:	SHEET NO. 1 OF 3 SHEETS	STA.	TO STA.	ILLINOIS FED. AID PROJECT			

