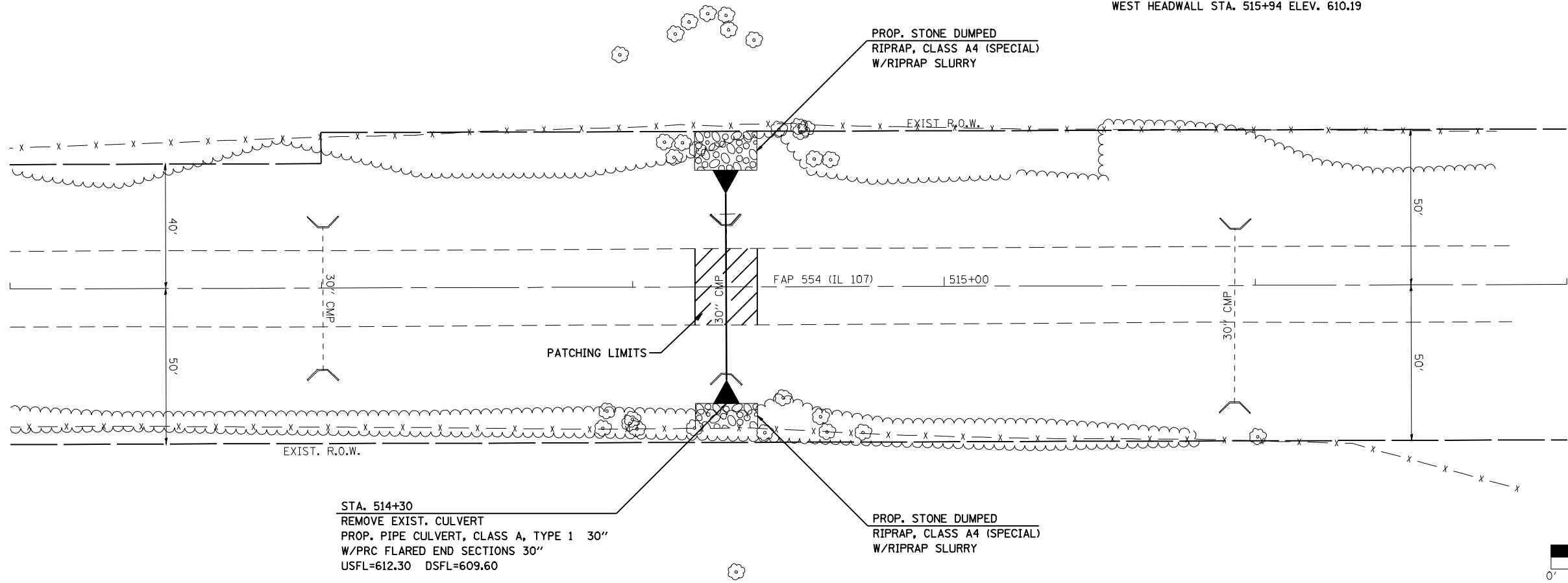
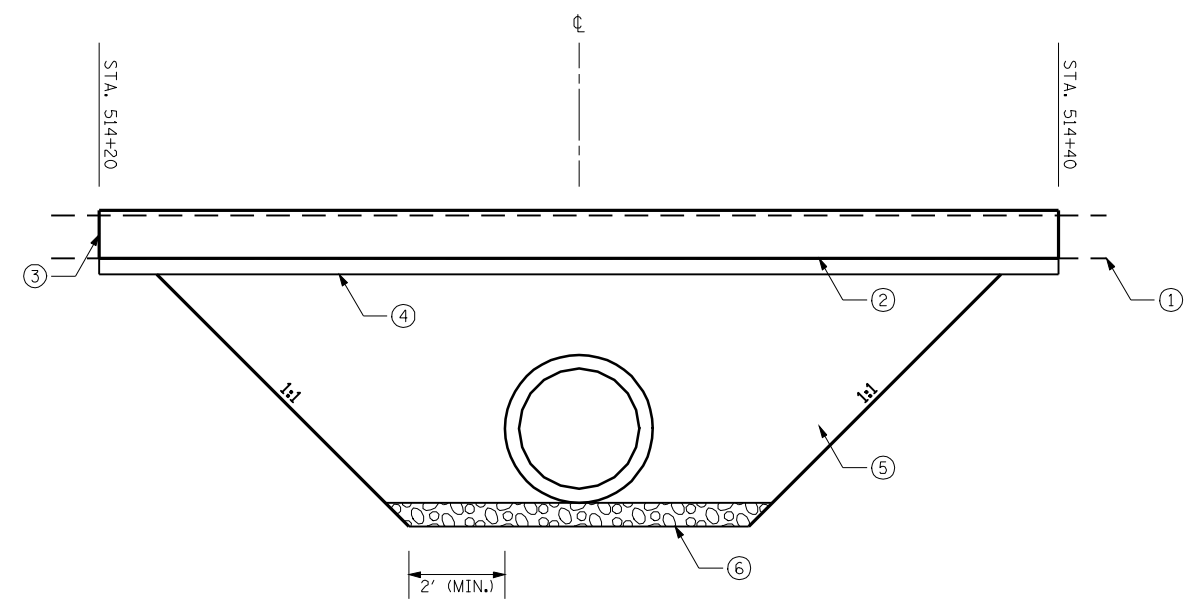


BM 107TA17 SET CHISELED SQUARE CENTER OF WEST HEADWALL STA. 515+94 ELEV. 610.19



STA. 514+30
 REMOVE EXIST. CULVERT
 PROP. PIPE CULVERT, CLASS A, TYPE 1 30"
 W/PRC FLARED END SECTIONS 30"
 USFL=612.30 DSFL=609.60

PROP. STONE DUMPED
 RIPRAP, CLASS A4 (SPECIAL)
 W/RIPRAP SLURRY



- ① EXIST. PAVEMENT
- ② PROP. PAVEMENT PATCHING, TYPE IV, 11 INCH
- ③ PROP. FULL DEPTH SAW CUT (TYPICAL) - INCLUDED IN COST OF PATCH
- ④ PROP. SUB-BASE GRANULAR MATERIAL, TYPE A 4"
- ⑤ PROP. TRENCH BACKFILL, SPECIAL
- ⑥ PROP. POROUS GRANULAR MATERIAL 6" (INCLUDED IN COST OF PATCH)

PAVEMENT PATCHING DETAIL

NOTE: SEE CROSS SECTIONS FOR ADDITIONAL INFORMATION

| | | | | | | | | | | | | | |
|--|------------------------------------|------------|-----------|---|--|-------------------------|------|-------------|---------|---------------------|--------------|-----------|----|
| FILE NAME = | USER NAME = laughlinr1 | DESIGNED - | REVISED - | STATE OF ILLINOIS DEPARTMENT OF TRANSPORTATION | CULVERT PLAN AND PAVEMENT PATCHING DETAIL | | | F.A.P. RTE. | SECTION | COUNTY | TOTAL SHEETS | SHEET NO. | |
| er:\pwork\pwidot\LAUGHLINRL\0200040\672C37-shr-detail3.dgn | | DRAWN - | REVISED - | | SCALE: | SHEET NO. 3 OF 3 SHEETS | STA. | TO STA. | 554 | 16(RS-6) & 18(RS-6) | BROWN | 49 | 46 |
| | PLOT SCALE = 40.000' / IN. | CHECKED - | REVISED - | | CONTRACT NO. 72C37 | | | | | | | | |
| | PLOT DATE = Apr-08-2010 03:20:31PM | DATE - | REVISED - | | ILLINOIS FED. AID PROJECT | | | | | | | | |

