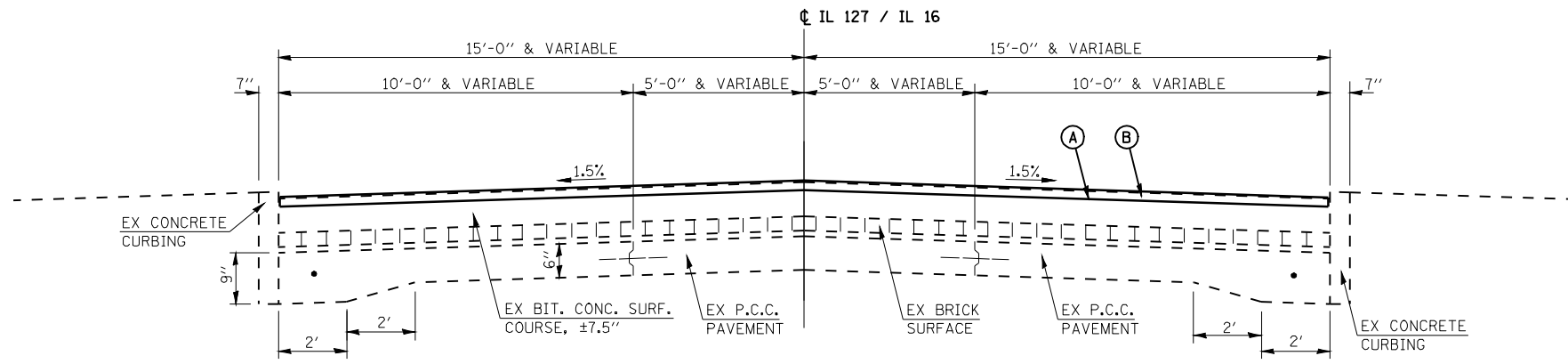


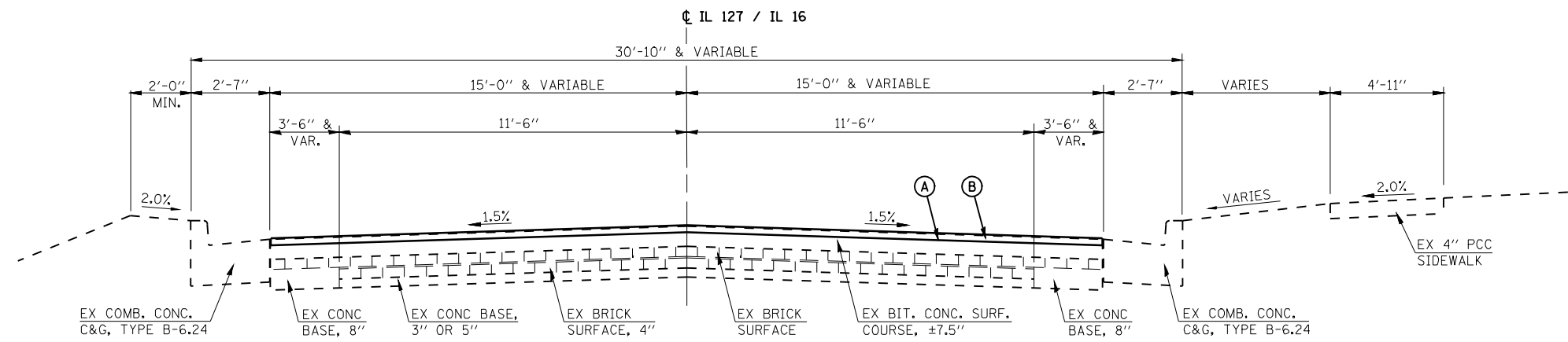
NOTE: STATIONING IS FROM NORTH TO SOUTH



TYPICAL CROSS SECTION
 STA. 27+00.00 TO STA. 28+26.13
 PROJECT BEGINS @ STA. 27+86.08

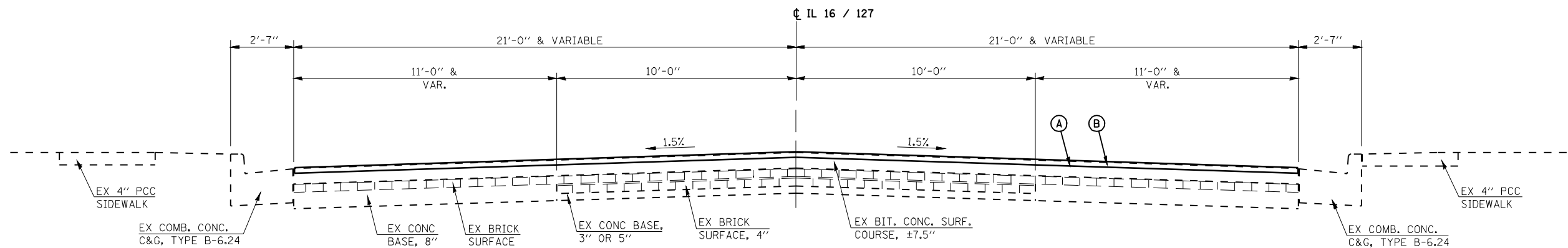
EXISTING CONCRETE PAVEMENT
 THICKNESS = 9'-6"-9".

| LEGEND | |
|--------|---|
| (A) | PROPOSED HOT-MIX ASPHALT SURFACE REMOVAL, 2" |
| (B) | PROPOSED HOT-MIX ASPHALT SURFACE COURSE, MIX D, N70, 2" DEPTH |



TYPICAL CROSS SECTION
 STA. 28+26.13 TO STA. 33+91.10

EXISTING BRICK PAVEMENT HAS A 3' AND 5" CONCRETE BASE WITH TWO COURSES OF BRICK OR 6" 8" CONCRETE BASE WITH ONE COURSE BRICK.



TYPICAL CROSS SECTION
 STA. 33+91.10 TO STA. 36+23.70

•-20RS-7, 21RS-6, 104RS, 105RS-4
 **-325, 42

| | | | | | | | | | | | |
|--|------------------------|----------------|-----------|---|--|-------------------------|-------------|---------|------------|--------------|-----------|
| FILE NAME = | USER NAME = laughlinr1 | DESIGNED - RTS | REVISED - | STATE OF ILLINOIS DEPARTMENT OF TRANSPORTATION | TYPICAL CROSS SECTIONS IL 16 / IL 127 | | F.A.P. RTE. | SECTION | COUNTY | TOTAL SHEETS | SHEET NO. |
| er:\pwork\PWIDOT\LAUGHLINRL\0105356\0672C52-ah-t-typico1.dgn | | DRAWN - RTS | REVISED - | | SCALE: | SHEET NO. 1 OF 8 SHEETS | STA. | TO STA. | MONTGOMERY | 60 | 6 |
| PLOT SCALE = 20.0000' / IN. | | CHECKED - | REVISED - | | CONTRACT NO. 72C52 | | | | | | |
| PLOT DATE = Mar-26-2010 11:58:57AM | | DATE - 3-10-10 | REVISED - | | ILLINOIS FED. AID PROJECT | | | | | | |