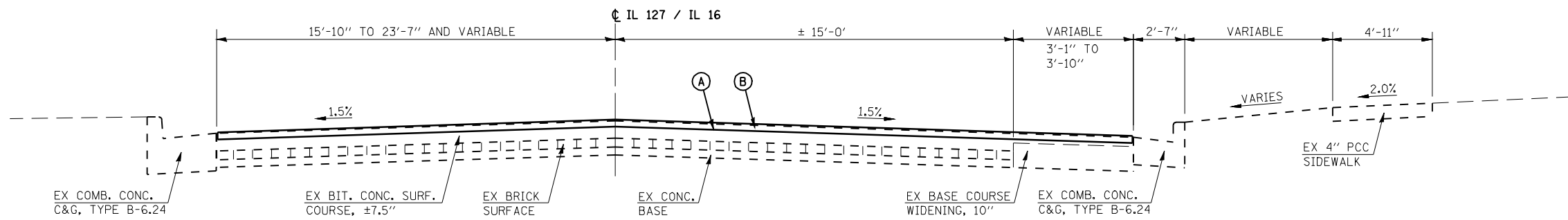


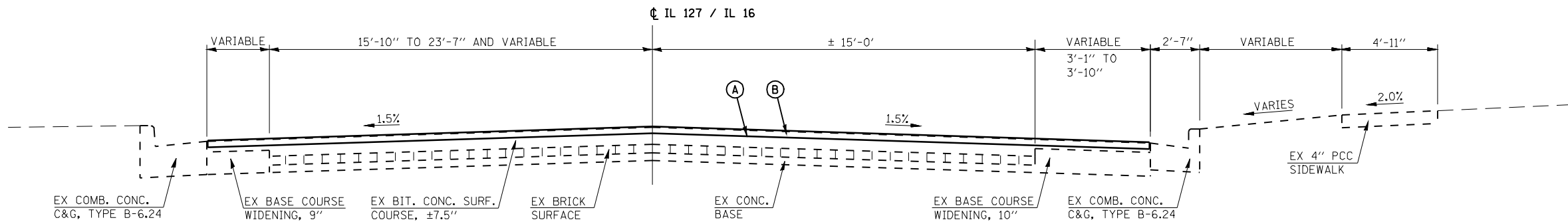
**PARALLEL PARKING DETAIL**  
STA. 36+23.70 LT TO 37+61.64 LT

**TYPICAL CROSS SECTION**  
STA. 36+23.70 TO STA. 37+99.30

LEGEND	
(A)	PROPOSED HOT-MIX ASPHALT SURFACE REMOVAL, 2"
(B)	PROPOSED HOT-MIX ASPHALT SURFACE COURSE, MIX D, N70, 2" DEPTH



**TYPICAL CROSS SECTION**  
STA. 37+99.30 TO STA. 40+03.20



**TYPICAL CROSS SECTION**  
STA. 40+03.20 TO STA. 41+51.70

•-20RS-7, 21RS-6, 104RS, 105RS-4  
\*\*-325, 42

FILE NAME =	USER NAME = laughlinr1	DESIGNED - RTS	REVISED -
e:\pwwork\pwwid\LAUGHLINRL\10105356\0672C52-ah-typical.dgn		DRAWN - RTS	REVISED -
PLOT SCALE = 20.0000' / IN.		CHECKED -	REVISED -
PLOT DATE = Mar-26-2010 11:59:00AM		DATE - 3-10-10	REVISED -

**STATE OF ILLINOIS**  
**DEPARTMENT OF TRANSPORTATION**

**TYPICAL CROSS SECTIONS**  
**IL 16 / IL 127**

SCALE: SHEET NO. 2 OF 8 SHEETS STA. TO STA.

F.A.P. RTE.	SECTION	COUNTY	TOTAL SHEETS	SHEET NO.
**	*	MONTGOMERY	60	7
CONTRACT NO. 72C52				
ILLINOIS FED. AID PROJECT				