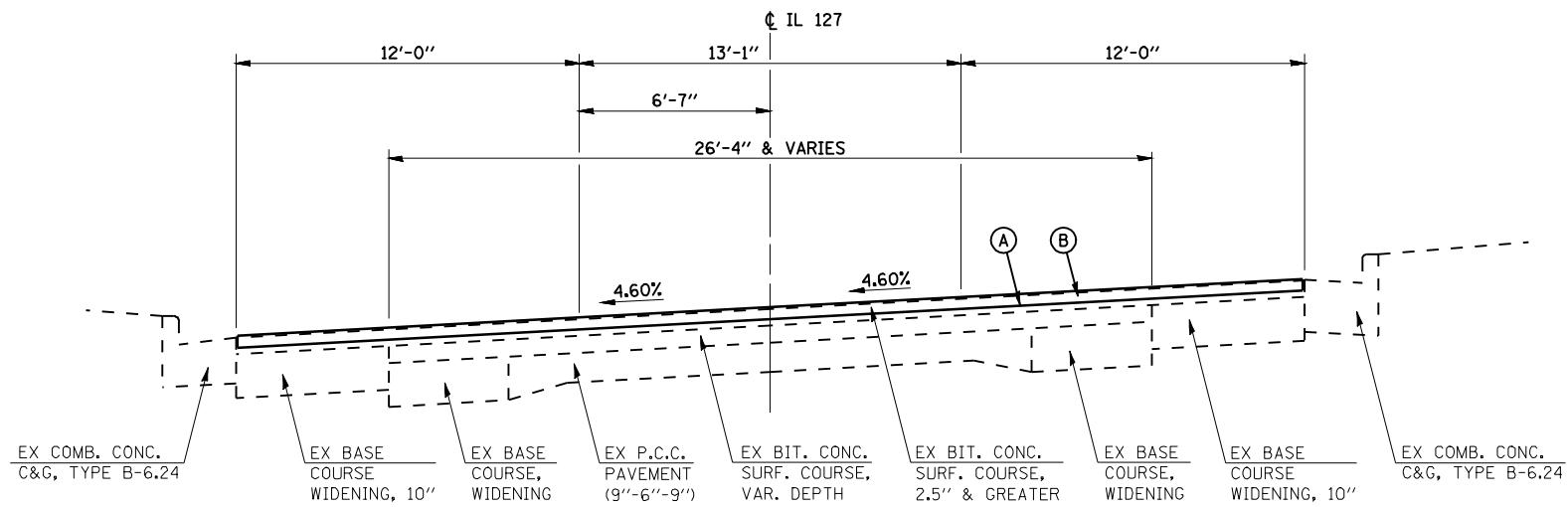


NOTES:
 SUPERELEVATION TRANSITION:
 STA. 45+60.48 TO STA. 47+77.02

TYPICAL CROSS SECTION
 STA. 40+80.79 TO STA. 47+22.34

LEGEND	
(A)	PROPOSED HOT-MIX ASPHALT SURFACE REMOVAL, 2"
(B)	PROPOSED HOT-MIX ASPHALT SURFACE COURSE, MIX D, N70, 2" DEPTH



NOTES:
 SUPERELEVATION TRANSITION:
 STA. 45+60.48 TO STA. 47+77.02

TYPICAL CROSS SECTION
 STA. 47+22.34 TO STA. 50+08.02

**-20RS-7, 21RS-6, 104RS, 105RS-4
 **-325, 42

FILE NAME =	USER NAME = laughlinr1	DESIGNED - RTS	REVISED -	STATE OF ILLINOIS DEPARTMENT OF TRANSPORTATION	TYPICAL CROSS SECTIONS IL 127			F.A.P. RTE.	SECTION	COUNTY	TOTAL SHEETS	SHEET NO.	
e:\pwwork\pwwid\LAUGHLINRL\10105356\10105356.dwg		DRAWN - RTS	REVISED -		SCALE:	SHEET NO. 6 OF 8 SHEETS	STA.	TO STA.	**	*	MONTGOMERY	60	11
		CHECKED -	REVISED -								CONTRACT NO. 72C52		
		DATE - 3-10-10	REVISED -								ILLINOIS FED. AID PROJECT		