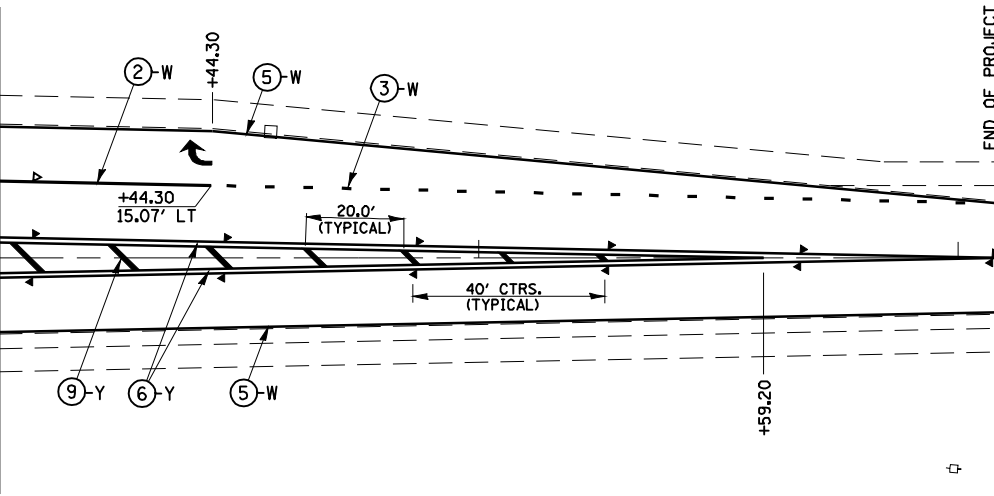


MATCH LINE STA. 56+00.00



END OF PROJECT  
STA. 58+08.91

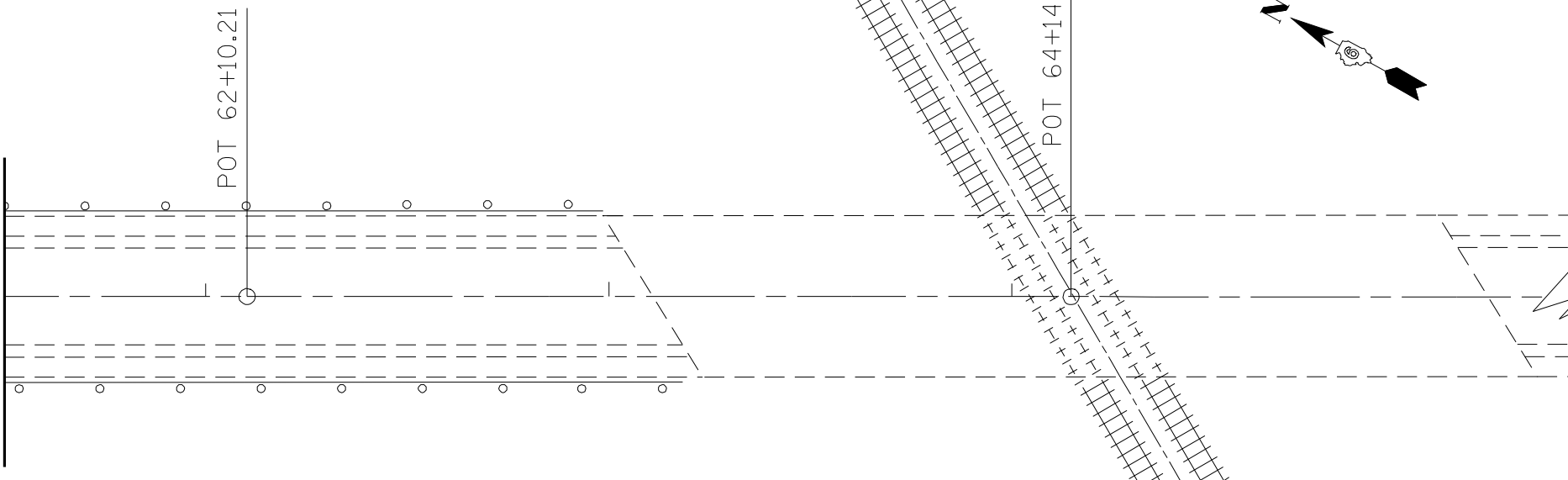
IL 127 (VANDALIA ROAD) 60+00

MATCH LINE STA. 61+50.00

**PAVEMENT MARKING LEGEND**

- ① PREFORMED PLASTIC PAVEMENT MARKING, TYPE B, INLAID - LINE 5"
- ② PREFORMED PLASTIC PAVEMENT MARKING, TYPE B, INLAID - LINE 6"
- ③ PREFORMED PLASTIC PAVEMENT MARKING, TYPE B, INLAID - LINE 6" (6' SKIP- 2' DASH)
- ④ PREFORMED PLASTIC PAVEMENT MARKING, TYPE B, INLAID - LINE 24"
- ⑤ THERMOPLASTIC PAVEMENT MARKING - LINE 5"
- ⑥ THERMOPLASTIC PAVEMENT MARKING - LINE 5" (DOUBLE YELLOW LINES @ 13" CENTERS)
- ⑦ THERMOPLASTIC PAVEMENT MARKING - LINE 6"
- ⑧ THERMOPLASTIC PAVEMENT MARKING - LINE 8"
- ⑨ THERMOPLASTIC PAVEMENT MARKING - LINE 12"
- ⑩ PAINT PAVEMENT MARKING - LINE 5"
- ↖ PREFORMED PLASTIC PAVEMENT MARKING, TYPE B, INLAID - LETTERS AND SYMBOLS (WHITE)
- ▷ RAISED REFLECTIVE PAVEMENT MARKER (ONE-WAY CRYSTAL)
- ▷ RAISED REFLECTIVE PAVEMENT MARKER (ONE -WAY AMBER)
- ◆ RAISED REFLECTIVE PAVEMENT MARKER (TWO -WAY AMBER)
- ⊗-W PAVEMENT MARKING, WHITE
- ⊗-Y PAVEMENT MARKING, YELLOW

MATCH LINE STA. 61+50.00



POT 64+14.66

FILE NAME =  
e:\pwork\pwork\LAUGHLIN\LD0105356\0672C52-ah-t-pmk.dgn  
USER NAME = laughlinr1  
PLOT SCALE = 48.0000' / IN.  
PLOT DATE = Mar-26-2010 12:00:37PM

DESIGNED	-	RTS	REVISED	-
DRAWN	-	RTS	REVISED	-
CHECKED	-	RTS	REVISED	-
DATE	-	3-10-10	REVISED	-

**STATE OF ILLINOIS  
DEPARTMENT OF TRANSPORTATION**

**PAVEMENT MARKING SHEET**

SCALE: SHEET NO. 15 OF 15 SHEETS STA. TO STA.

•-20RS-7, 21RS-6, 104RS, 105RS-4  
•-325, 42

F.A.P. RTE.	SECTION	COUNTY	TOTAL SHEETS	SHEET NO.
**	*	MONTGOMERY	60	51
CONTRACT NO. 72C52			ILLINOIS FED. AID PROJECT	