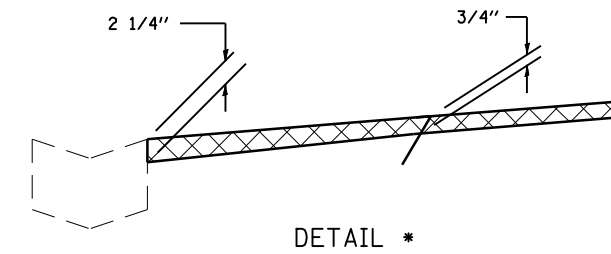


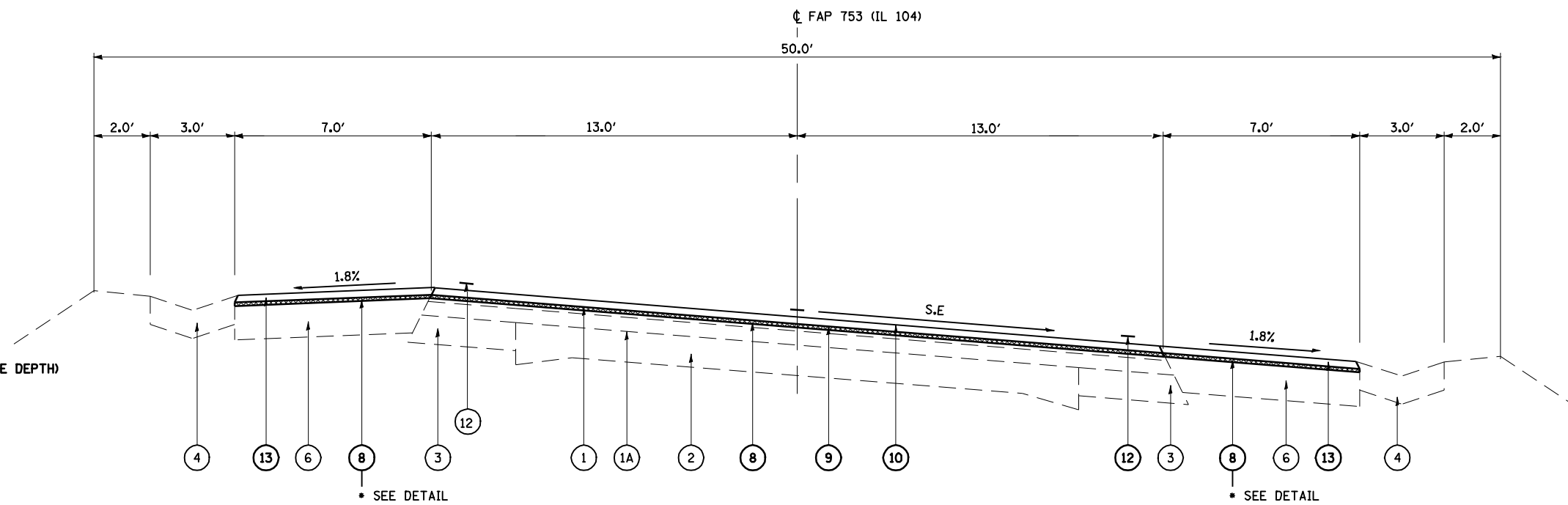
STA. 604+80.63 - 606+42.69
 STA. 606+42.69 - 608+72.69 S.E. TRANSITION



LEGEND

- ① EXISTING HOT-MIX ASPHALT CONCRETE SURFACE COURSE, MIX "D", CLASS I, TY 2 (1 1/2")
- ①A EXISTING HOT-MIX ASPHALT CONCRETE SURFACE (3±")
- ② EXISTING CONCRETE PAVEMENT (9-6 1/2-9)
- ③ EXISTING HOT-MIX ASPHALT WIDENING
- ④ EXISTING CONCRETE GUTTER TY A
- ⑤ EXISTING CONCRETE GUTTER TY B
- ⑥ EXISTING HOT-MIX ASPHALT SHOULDER
- ⑦ EXISTING AGGREGATE SHOULDER TY B
- ⑧ PROPOSED HOT-MIX ASPHALT SURFACE REMOVAL (VARIABLE DEPTH)
- ⑨ PROPOSED LEVELING BINDER (MACHINE METHOD) 3/4"
- ⑩ PROPOSED HOT-MIX ASPHALT SURFACE COURSE, MIX "C", 1 1/2"
- ⑪ PROPOSED AGGREGATE SHOULDERS TY B
- *** ⑫ PROPOSED PAVEMENT MARKING, LINE (5')
- ⑬ PROPOSED HOT-MIX ASPHALT SHOULDER, 2 1/4"

*** NOTE: STRIPE LANES AT 12'



STA. 608+72.69 - 610+00.00 S.E. = 0.077'/'

FILE NAME =	USER NAME = laughlinr1	DESIGNED -	REVISED -
ea\pwwork\PWIDOT\LAUGHLINRL\0120394\0672C66-ah-t-typico1.dgn		DRAWN -	REVISED -
	PLOT SCALE = 10.0000 ' / IN.	CHECKED -	REVISED -
	PLOT DATE = Mar-29-2010 10:07:19AM	DATE -	REVISED -

**STATE OF ILLINOIS
 DEPARTMENT OF TRANSPORTATION**

TYPICAL SECTIONS

SCALE: SHEET NO. 10 OF 26 SHEETS STA. TO STA.

F.A.P. RTE.	SECTION	COUNTY	TOTAL SHEETS	SHEET NO.
753	128XRS-3	MORGAN	26	10
CONTRACT NO. 72C66			ILLINOIS FED. AID PROJECT	