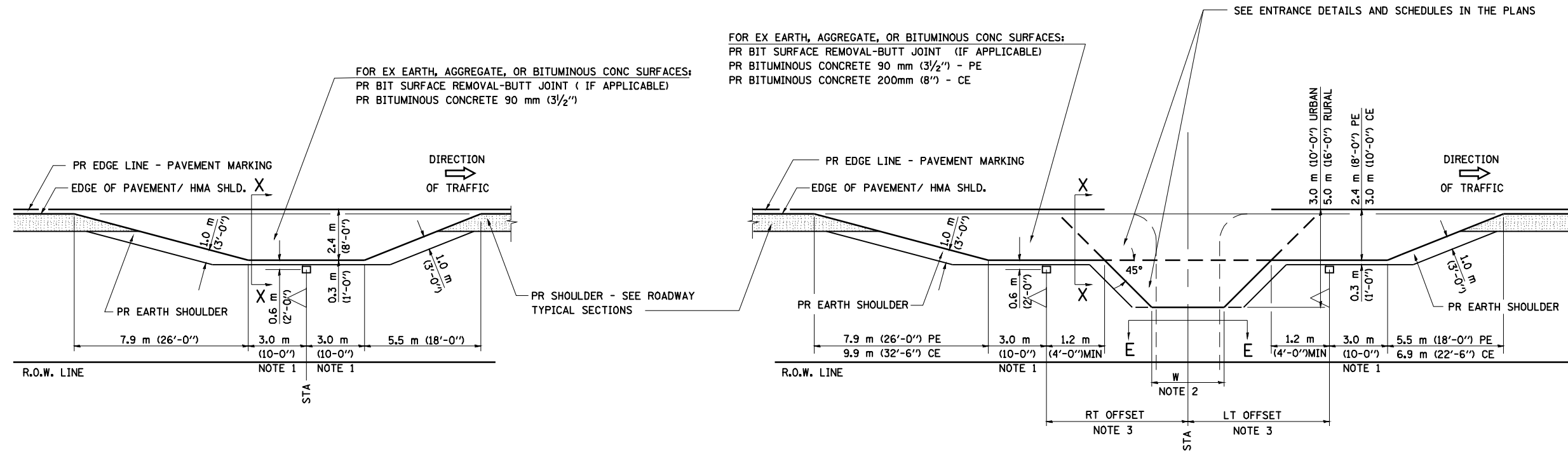
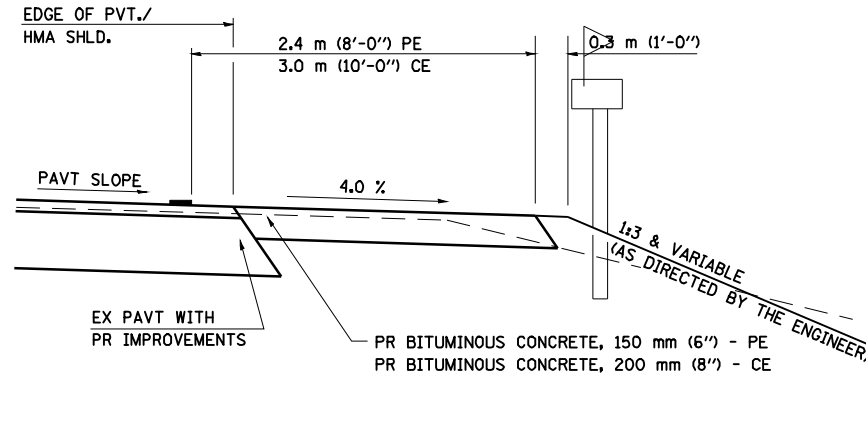
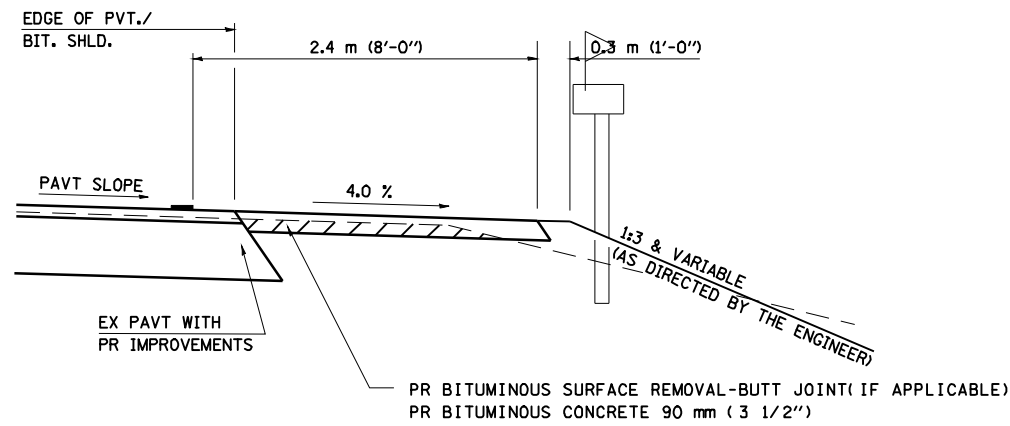


DETAILS OF MAILBOX TURNOUTS



PLAN - MAILBOX TURNOUTS

PLAN - COMBINED MAILBOX TURNOUT WITH TRAILING OR LEADING ENTRANCE



- NOTE 1 IF MORE THAN ONE MAILBOX IS PRESENT, DIMENSION FROM CENTER OF END MAILBOX.
- NOTE 2 FOR ENTRANCE LAYOUT DIMENSIONS AND SECTIONS A-A & E-E REFER TO THE SCHEDULES IN THE PLANS.
- NOTE 3 BOTH LT OR RT OFFSETS FOR MAILBOX SHOWN USE OFFSET DIMENSION PER SCHEDULE AND REFER TO LAYOUT SHOWN ON THE PLAN.

ALL DIMENSIONS ARE IN MILLIMETERS (INCHES)
 UNLESS OTHERWISE SHOWN.

FILE NAME =	USER NAME = laughlinr1	DESIGNED -	REVISED - 2/19/03 JCN
ENT PPP.DGN	es:\pwwork\pwwid\LAUGHLINRL\0120394\0672C66-ent-ent.ppp.dgn	DRAWN - CADD	REVISED - 4/01/04 JCN
	PLOT SCALE = 48.000' / IN.	CHECKED - JCN	REVISED -
	PLOT DATE = Mar-29-2010 10:08:14AM	DATE - FEBRUARY 23, 1999	REVISED -

**STATE OF ILLINOIS
 DEPARTMENT OF TRANSPORTATION**

**DIST. 6 DETAILS FOR RURAL/URBAN ENT., MAILBOX
 TURNOUT & SIDEROADS W/O CONC. GUTTER (3P-PROJ.)**

SCALE: SHEET NO. 25 OF 26 SHEETS STA. TO STA.

F.A.P. RTE.	SECTION	COUNTY	TOTAL SHEETS	SHEET NO.
753	(128X)RS-3	MORGAN	26	25
CONTRACT NO. 72C66				
FED. ROAD DIST. NO. ILLINOIS FED. AID PROJECT				