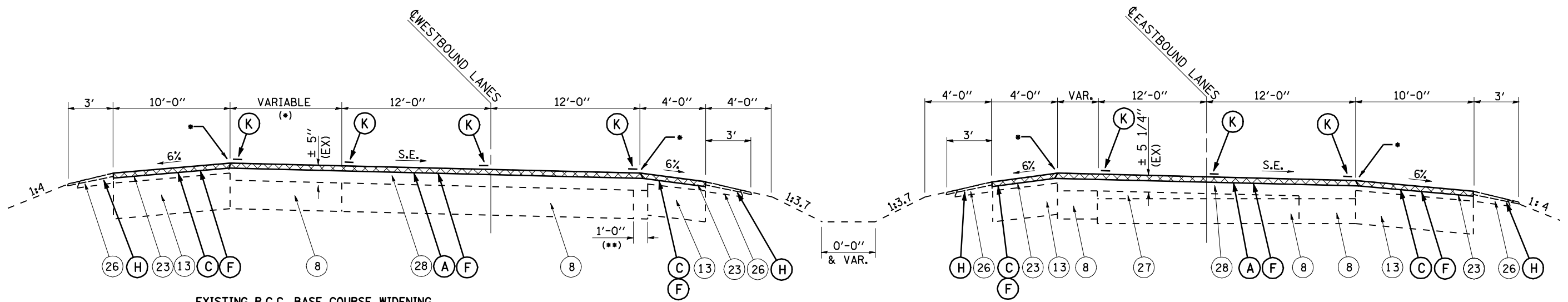


TYPICAL #11
 STA. 211+06.92 TO STA. 221+28.51

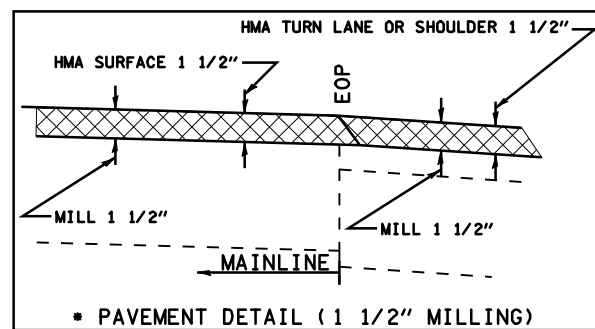


TYPICAL #12
 STA. 221+28.51 TO STA. 225+99.69

**EXISTING P.C.C. BASE COURSE WIDENING
 NORTHWEST BOUND LANES:**
 * - 12+497.000 TO 12+541.620
 ** - 12+541.620 TO 12+640.619

EXISTING LEGEND

- 1 EXISTING STABILIZED SUB-BASE, 4"
- 2 EXISTING STABILIZED SUB-BASE GRANULAR MATERIAL, TYPE A 8"
- 6 EXISTING CONTINUOUSLY REINFORCED P.C.C. PAVEMENT, 7"
- 8 EXISTING P.C.C. BASE COURSE, 9"
- 12 EXISTING STABILIZED BITUMINOUS SHOULDER, 8"
- 13 EXISTING STABILIZED B.A.M. SHOULDER
- 19 EXISTING LONGITUDINAL METAL JOINT
- 20 EXISTING 1/2" Ø DEFORMED BAR @ 2'-6" CENTERS
- 23 EXISTING BITUMINOUS SHOULDERS (DEPTH UNKNOWN)
- 24 EXISTING AGGREGATE SHOULDERS
- 26 EXISTING AGGREGATE SHOULDERS, TYPE B
- 27 EXISTING HMA LEVELING BINDER - VARIABLE DEPTH
- 28 EXISTING BITUMINOUS CONCRETE OVERLAY



PROPOSED LEGEND

- A PROPOSED POLYMERIZED HMA SURFACE COURSE, MIX 'D', N70, 1 1/2"
- B PROPOSED POLYMERIZED HMA BINDER COURSE, IL-19.0, N70, 2 1/4"
- C PROPOSED HMA SHOULDERS, 1 1/2"
- D PROPOSED HMA SHOULDERS, 2"
- E PROPOSED HMA SURFACE REMOVAL, 3/4"
- F PROPOSED HMA SURFACE REMOVAL, 1 1/2"
- G PROPOSED HMA SURFACE REMOVAL, 2 1/2"
- H PROPOSED AGGREGATE SHOULDERS, TYPE B
- I PROPOSED COMBINATION CONCRETE CURB & GUTTER, TY M-6.06
- J PROPOSED CONCRETE MEDIAN SURFACE, 4"
- K PROPOSED PAVEMENT MARKING

FILE NAME =	USER NAME = laughlinr1	DESIGNED -	REVISED -
e:\pwork\pwork\LAUGHLINRL\0140376\072001-sh-typical.dgn		DRAWN -	REVISED -
PLOT SCALE = 4200.0000 ' / IN.		CHECKED -	REVISED -
PLOT DATE = Mar-26-2010 02:58:02PM		DATE -	REVISED -

**STATE OF ILLINOIS
 DEPARTMENT OF TRANSPORTATION**

**TYPICAL SECTIONS
 F.A.P. 75 (IL 29)**

SCALE: SHEET NO. OF SHEETS STA. TO STA.

F.A.P. RTE.	SECTION	COUNTY	TOTAL SHEETS	SHEET NO.
75	6(RS-8, TS),8RS-7	SANGAMON	111	12
CONTRACT NO. 72D01				
ILLINOIS FED. AID PROJECT				