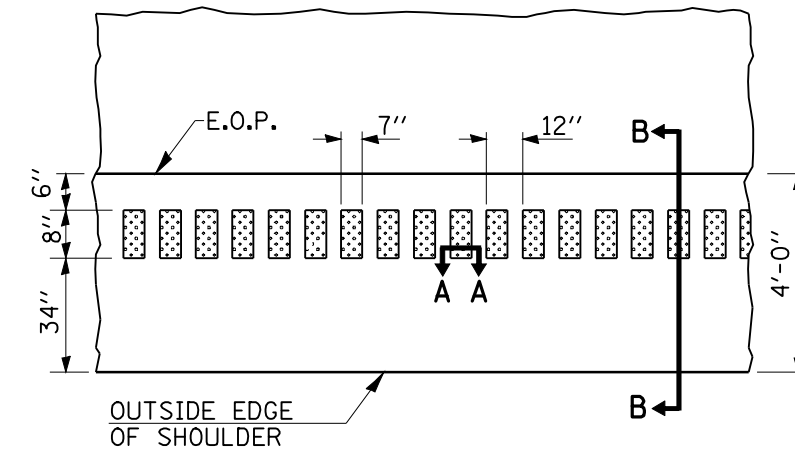
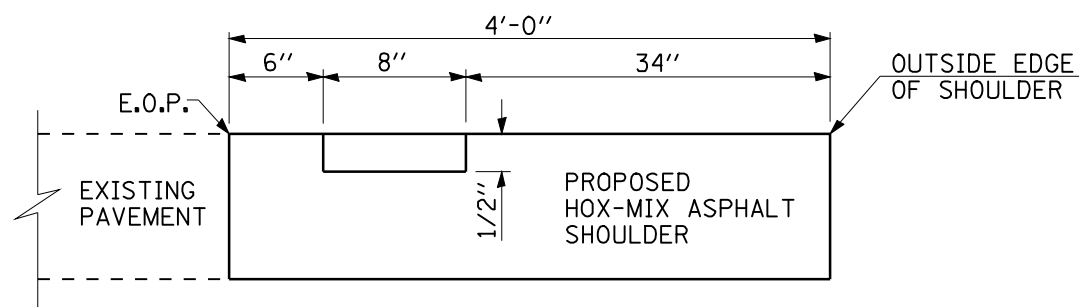


TAPER DETAIL FOR PROPOSED HOT-MIX ASPHALT SHOULDERS

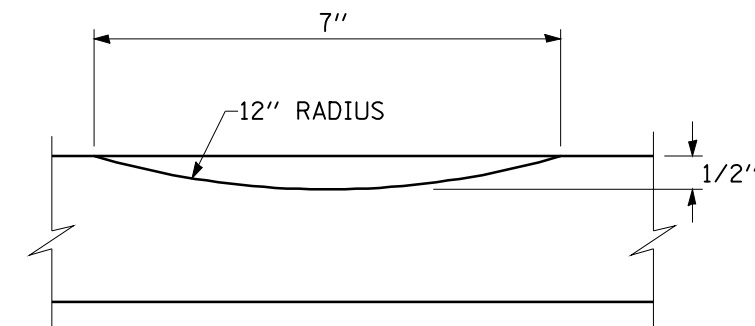
(TRANSITION WIDTH FOR PROPOSED HMA SHOULDERS FROM 1'-0" TO 4'-0" WITHIN 10'-0")



PLAN VIEW



SECTION B-B



SECTION A-A

FILE NAME =	USER NAME = laughlinr1	DESIGNED -	REVISED -
e:\pwork\pwidot\LAUGHLINRL\0140376\072001-ash-District-detail.dgn		DRAWN -	REVISED -
PLOT SCALE = 50.0000' / IN.		CHECKED -	REVISED -
PLOT DATE = Mar-26-2010 03:13:13PM		DATE -	REVISED -

**STATE OF ILLINOIS
DEPARTMENT OF TRANSPORTATION**

RUMBLE STRIP DETAILS

SCALE: NONE SHEET NO. OF SHEETS STA. TO STA.

* D-6 SHLDR RUMBLE STRIPS 2010

F.A.P. RTE.	SECTION	COUNTY	TOTAL SHEETS	SHEET NO.
75	6(RS-8, WS), BRS-7	SANGAMON	111	91
CONTRACT NO. 72D01				
ILLINOIS FED. AID PROJECT				