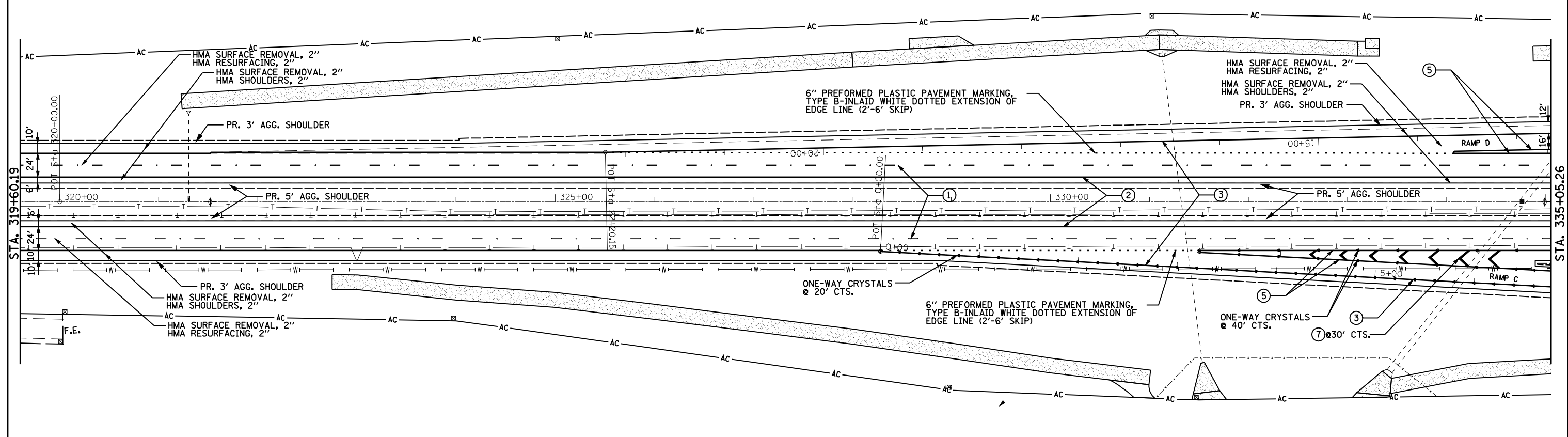
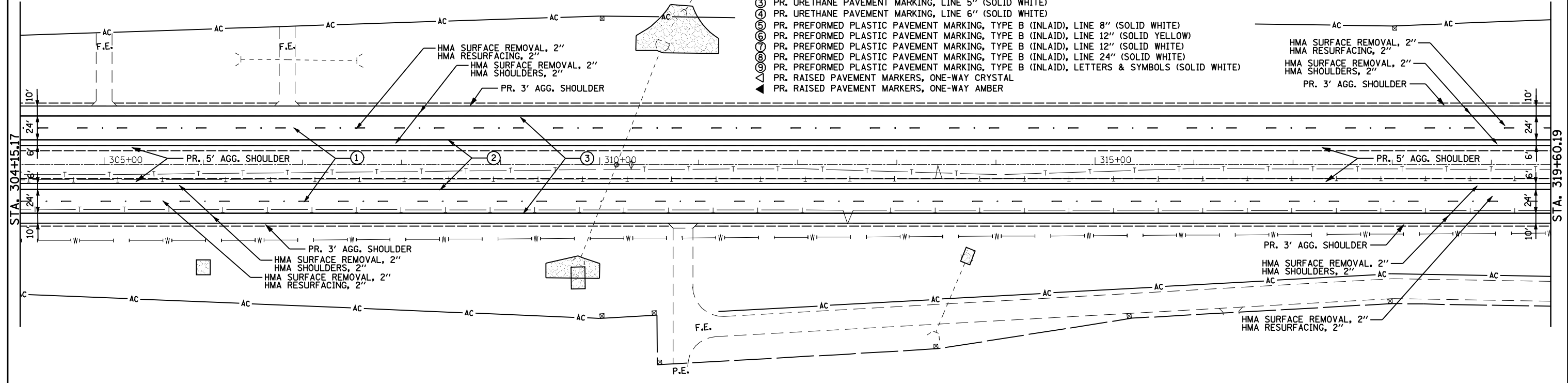




PAVEMENT MARKING LEGEND

- ① PR. PREFORMED PLASTIC PAVEMENT MARKING, TYPE B (INLAID), LINE 5" (30' SKIP, 10' WHITE DASH & RRPM @ 80'CTS.)
- ② PR. URETHANE PAVEMENT MARKING, LINE 5" (SOLID YELLOW)
- ③ PR. URETHANE PAVEMENT MARKING, LINE 5" (SOLID WHITE)
- ④ PR. URETHANE PAVEMENT MARKING, LINE 6" (SOLID WHITE)
- ⑤ PR. PREFORMED PLASTIC PAVEMENT MARKING, TYPE B (INLAID), LINE 8" (SOLID WHITE)
- ⑥ PR. PREFORMED PLASTIC PAVEMENT MARKING, TYPE B (INLAID), LINE 12" (SOLID YELLOW)
- ⑦ PR. PREFORMED PLASTIC PAVEMENT MARKING, TYPE B (INLAID), LINE 12" (SOLID WHITE)
- ⑧ PR. PREFORMED PLASTIC PAVEMENT MARKING, TYPE B (INLAID), LINE 24" (SOLID WHITE)
- ⑨ PR. PREFORMED PLASTIC PAVEMENT MARKING, TYPE B (INLAID), LETTERS & SYMBOLS (SOLID WHITE)
- ▲ PR. RAISED PAVEMENT MARKERS, ONE-WAY CRYSTAL
- ◀ PR. RAISED PAVEMENT MARKERS, ONE-WAY AMBER



FILE NAME =	USER NAME = laughlinr1	DESIGNED - TCG	REVISED -
es:\pwork\PIWIDOT\LAUGHLINRL\0200120\10672014-shr-plan-11336.dgn		DRAWN - JJS	REVISED -
		CHECKED - MTM	REVISED -
		DATE - JANUARY 2010	REVISED -

**STATE OF ILLINOIS
DEPARTMENT OF TRANSPORTATION**

ILLINOIS 336

SCALE: 1"=50' SHEET NO. 11 OF 12 SHEETS STA. 304+15.17 TO STA. 335+05.26

F.A.P. RTE.	SECTION	COUNTY	TOTAL SHEETS	SHEET NO.
302	1-7(1RS)	ADAMS	38	30
CONTRACT NO. 72D14				
ILLINOIS FED. AID PROJECT				