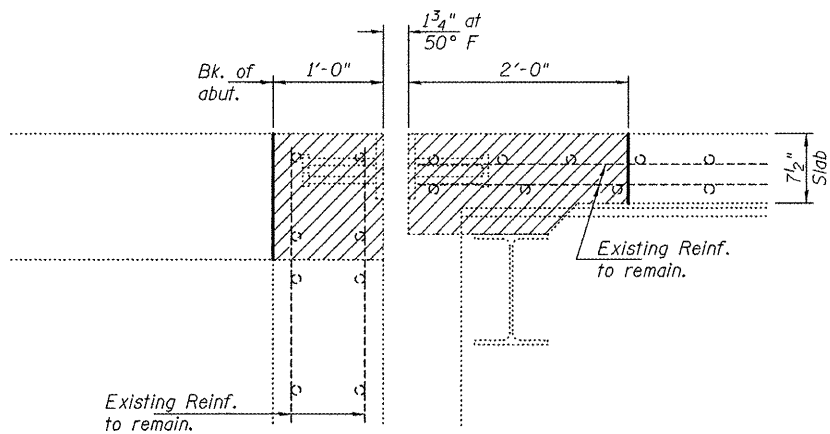
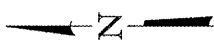
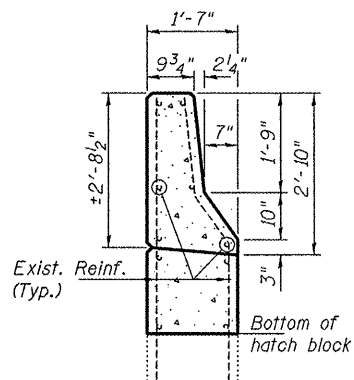
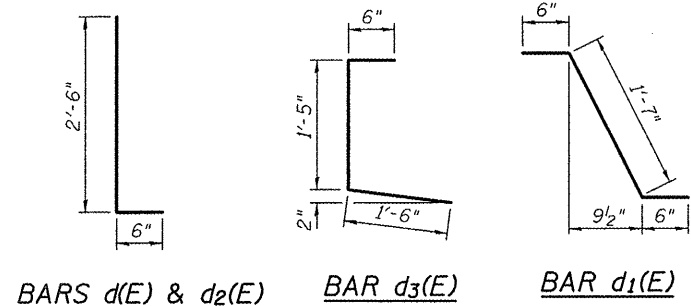


STATE OF ILLINOIS
DEPARTMENT OF TRANSPORTATION

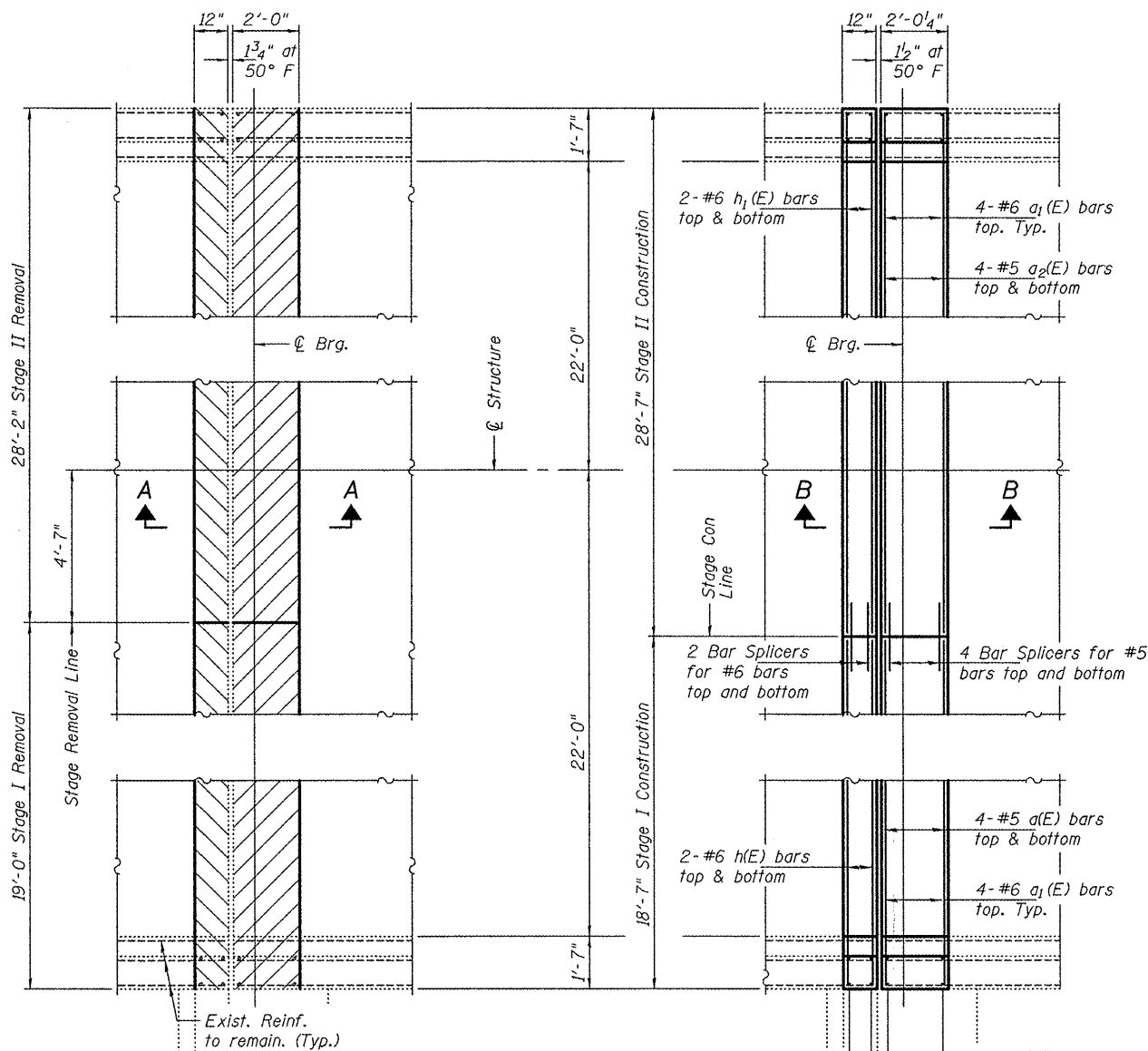


SECTION A-A

(Near Centerline Roadway)
(Dims at RT L's to end of deck)



SECTION THRU APPROACH PARAPET



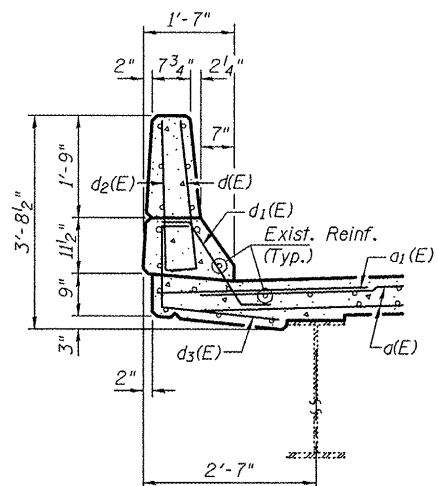
REMOVAL PLAN

(N. Abut. SN: 084-0018 Shown)
(Other abutments similar)

REPLACEMENT PLAN

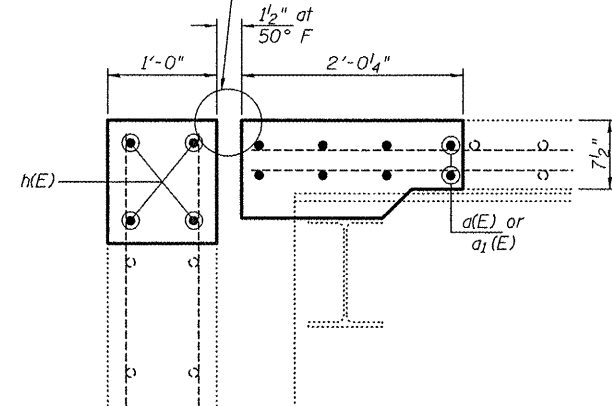
(N. Abut. SN: 084-0018 Shown)
(Other abutments similar)

Notes:
Hatched areas indicate removal.



TYPICAL PARAPET SECTION

For joint details
see sheet 3 of 5



SECTION B-B

(Near Centerline Roadway)
(Dims at RT L's to end of deck)

BILL OF MATERIAL

Bar	No.	Size	Length	Shape
a(E)	32	#5	18'-4"	—
a1(E)	32	#6	4'-0"	—
a2(E)	32	#5	28'-4"	—
d(E)	32	#5	3'-0"	L
d1(E)	32	#5	2'-7"	L
d2(E)	32	#4	3'-0"	L
d3(E)	32	#4	3'-5"	L
h(E)	16	#6	18'-4"	—
h1(E)	16	#6	28'-4"	—
Concrete Removal			Cu. Yd.	26.2
Concrete Superstructure			Cu. Yd.	26.4
Reinforcement Bars, Epoxy Coated			Lbs.	3,140

DESIGNED	I.J.L.
CHECKED	A.T.H.
DRAWN	Drew Christopher
CHECKED	I.J.L. A.T.H.

EXAMINED	May 7, 2010
PASSED	Ralph E. Anderson

DETAILS
SN 084-0018 and 0019

SHEET NO. 2	F.A.I. RTE.	SECTION	COUNTY	TOTAL SHEETS	SHEET NO.
	55	84-2(RS-3)	Sangamon	156	128
5 SHEETS	FED. ROAD DIST. NO. ILLINOIS FED. AID PROJECT		CONTRACT NO. 72D43		