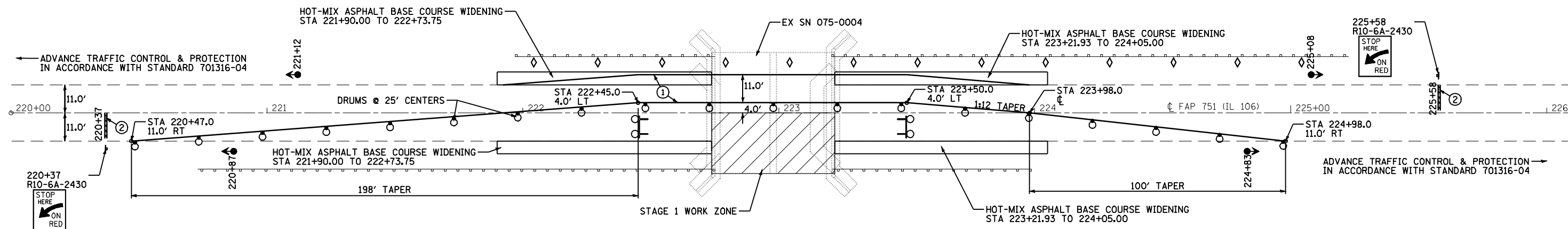


SN 075-0004 - STAGE 1 CONSTRUCTION



SUGGESTED STAGE CONSTRUCTION SEQUENCE

PRELIMINARY:

1. CONSTRUCT ALL BITUMINOUS BASE COURSE WIDENING AS SHOWN IN THE PLANS. UTILIZE TRAFFIC CONTROL AND PROTECTION STANDARD 701326.
2. ESTABLISH TWO-WAY, ONE-LANE TRAFFIC IN WESTBOUND LANE AND INSTALL STAGE 1 TRAFFIC CONTROL AS DETAILED HEREIN AND IN STANDARD 701316.

STAGE 1:

1. REMOVE EXISTING BRIDGE DECK CONCRETE OVERLAY.
2. PERFORM DECK SLAB REPAIR.
3. SCARIFY BRIDGE DECK AND PERFORM ADDITIONAL DECK SLAB REPAIR IF REQUIRED.
4. PLACE MICROSILICA OVERLAY & POLYMER CONCRETE.

STAGE 2:

1. RELOCATE STAGE TRAFFIC CONTROL AND SWITCH TRAFFIC TO EASTBOUND LANE.
2. PERFORM STAGE 2 BRIDGE REPAIRS IN SAME SEQUENCE AS STAGE 1.

FINAL:

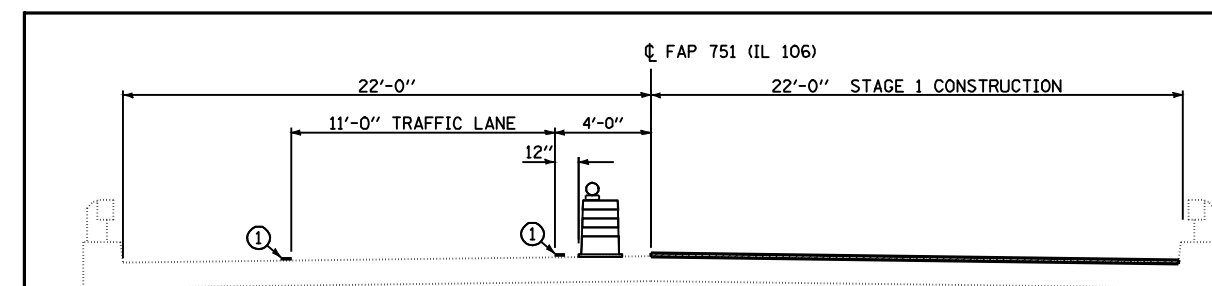
1. REMOVE ALL STAGE CONTROL TO RE-ESTABLISH NORMAL TRAFFIC PATTERNS.
2. PERFORM HOT-MIX ASPHALT SURFACE REMOVAL. UTILIZE TRAFFIC CONTROL AND PROTECTION STANDARD 701306.
3. PLACE HOT-MIX ASPHALT SURFACE COURSE. UTILIZE TRAFFIC CONTROL AND PROTECTION STANDARD 701306.
4. INSTALL SHORT-TERM PAVEMENT MARKINGS.
5. PERFORM BRIDGE DECK GROOVING.
6. APPLY PROTECTIVE COAT.
7. REMOVE SHORT-TERM PAVEMENT MARKINGS AND PLACE PERMANENT PAINT PAVEMENT MARKINGS.

STAGE TRAFFIC CONTROL NOTES

1. THIS TRAFFIC CONTROL DETAIL SHALL BE USED IN CONJUNCTION WITH STANDARD 701316. ALL WORK REQUIRED TO SET UP, MAINTAIN, AND REMOVE TRAFFIC CONTROL AS DETAILED HEREIN AND IN STANDARD 701316 AND AS DIRECTED BY THE ENGINEER, SHALL BE INCLUDED IN THE COST FOR "TRAFFIC CONTROL AND PROTECTION, STANDARD 701316, LOCATION 1" EXCEPT FOR THE ITEMS SHOWN IN THE TRAFFIC CONTROL TOTAL BILL OF MATERIALS.
2. THE CONTRACTOR SHALL NOTIFY THE DISTRICT 6 TRAFFIC SECTION OF THE BUREAU OF OPERATIONS AT LEAST ONE WEEK PRIOR TO IMPLEMENTING STAGE TRAFFIC CONTROL.
3. EXISTING PAVEMENT MARKINGS THAT CONFLICT WITH THE REVISED STAGE TRAFFIC PATTERNS DURING ALL PHASES OF STAGE CONSTRUCTION SHALL BE REMOVED AS SPECIFIED IN SECTION 783 OF THE STANDARD SPECIFICATIONS AND PAID FOR AS "PAVEMENT MARKING REMOVAL".
4. THE CONTRACTOR SHALL MAINTAIN FULL OPERATION OF ALL SIDEROADS AND ACCESS TO ALL PROPERTIES DURING ALL PHASES OF CONSTRUCTION.

SYMBOLS

- TYPE III BARRICADE WITH FLASHING LIGHTS
- SIGN
- DRUM WITH STEADY BURNING LIGHT
- TRAFFIC SIGNAL
- MICROWAVE DETECTOR SYSTEM ON 12'- 15' POLE
- CRYSTAL BIDIRECTIONAL PARAPET / GUARDRAIL MARKER
- PAVEMENT MARKING TAPE, TYPE III 5" (WHITE)
- PAVEMENT MARKING TAPE, TYPE III 24" (WHITE)



TYPICAL SECTION - STAGE 1 CONSTRUCTION

S.N. 074-0004 - LOOKING EAST

SEE STRUCTURE PLANS FOR ADDITIONAL DETAILS

FILE NAME =	USER NAME = coxte	DESIGNED -	REVISED -
er\pwork\PWIDOT\COXTE\0183107\0672044\stg-staging.dgn		DRAWN -	REVISED -
	PLOT SCALE = 40.0000' / IN.	CHECKED -	REVISED -
	PLOT DATE = Feb-10-2010 01:52:21PM	DATE -	REVISED -

**STATE OF ILLINOIS
DEPARTMENT OF TRANSPORTATION**

**TRAFFIC CONTROL AND PROTECTION DETAILS
SN 074-0004**

SCALE: 1" = 20' SHEET NO. 1 OF 2 SHEETS STA. TO STA.

F.A.P. RTE.	SECTION	COUNTY	TOTAL SHEETS	SHEET NO.
751	D6 BRIDGE REPAIR 2009	PIKE	22	9
CONTRACT NO. 72D44				
FED. ROAD DIST. NO. ILLINOIS FED. AID PROJECT				