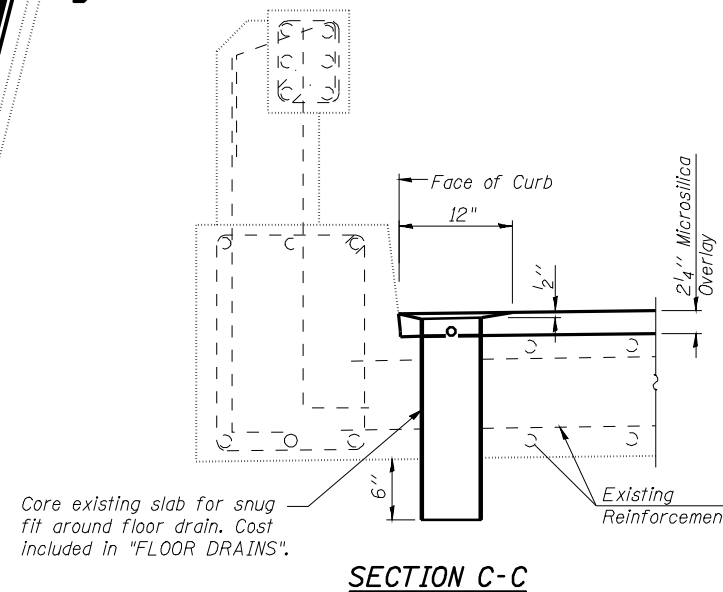
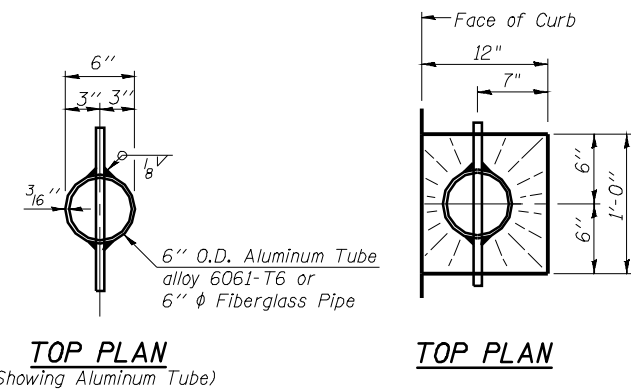
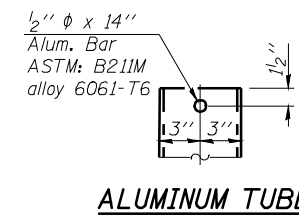
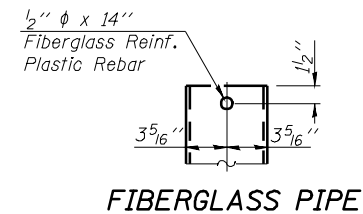
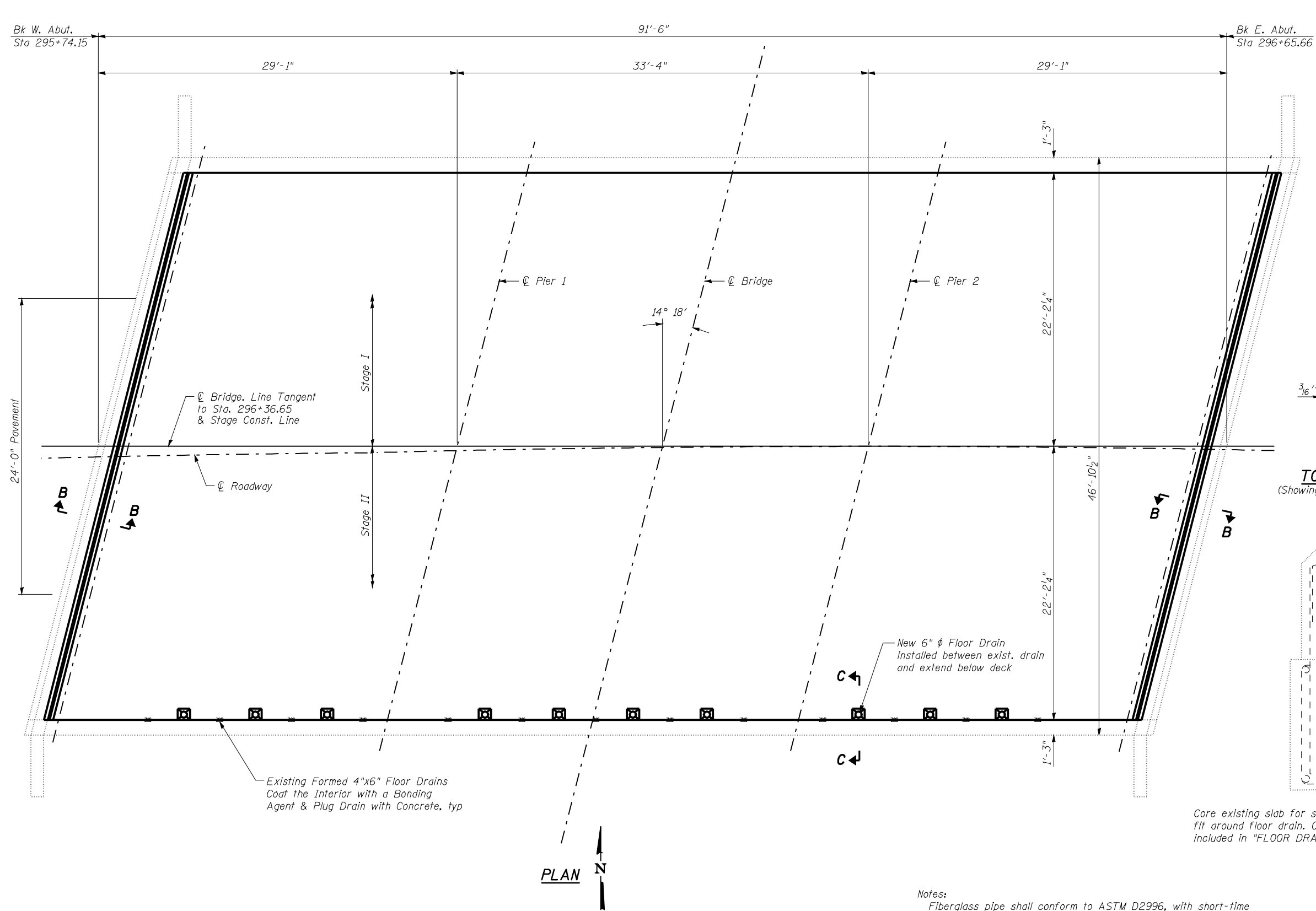


Feb-10-2010 01:52:40PM



Existing Formed 4"x6" Floor Drains
Coat the Interior with a Bonding Agent & Plug Drain with Concrete, typ

Notes:
Fiberglass pipe shall conform to ASTM D2996, with short-time rupture strength hoop tensile stress of 30,000 p.s.i. minimum.
The exterior surfaces of the floor drains shall be coated or pigmented by the manufacturer with a color that matches the concrete.

**SUPERSTRUCTURE PLAN
IL 106 OVER THE SNY RIVER
SN 075-0024**

| | |
|----------|---------|
| DESIGNED | KTH |
| CHECKED | ADL |
| DRAWN | KTH/BGJ |
| CHECKED | ADL |

KLINGNER & ASSOCIATES, P.C.
Engineers - Architects - Surveyors
155 North 21st Street, Barrington, IL 60010
1550 Park Forest Grand Plaza, Vernon Hills, IL 60061
100 N. LaSalle Street, Suite 1000, Burlington, IL 60109
111 North Prairie Street, Galesburg, IL 61601
Ph: (815) 223-3830 Fax: (815) 223-3833
Ph: (815) 753-9536 Fax: (815) 752-3805
Ph: (815) 942-4842 Fax: (815) 942-3788
www.klingner.com
STATE OF ILLINOIS DESIGN FIRM # 1842738

| | | | | | |
|-------------------------|-------------|-----------------------|---------------------------|--------------|-----------|
| SHEET NO. 3 5 SHEETS | F.A.P. RTE. | SECTION | COUNTY | TOTAL SHEETS | SHEET NO. |
| | 751 | D6 BRIDGE REPAIR 2009 | PIKE | 22 | 15 |
| FED. ROAD DIST. NO. | | | ILLINOIS FED. AID PROJECT | | |
| | | | CONTRACT NO. 72D44 | | |

Klingner & Associates P.C.