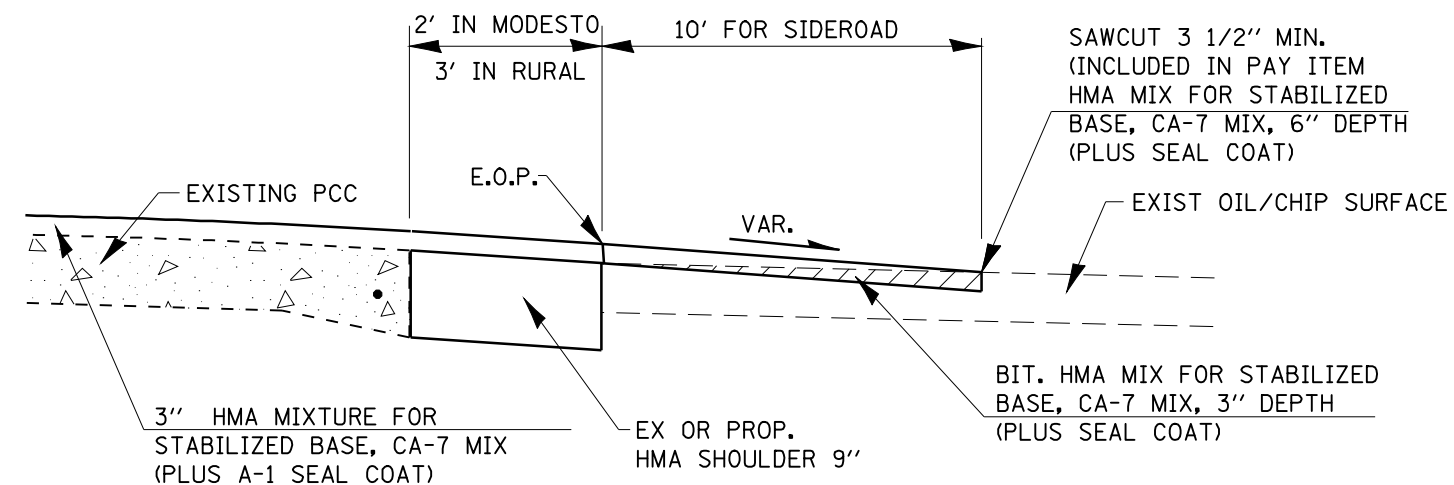
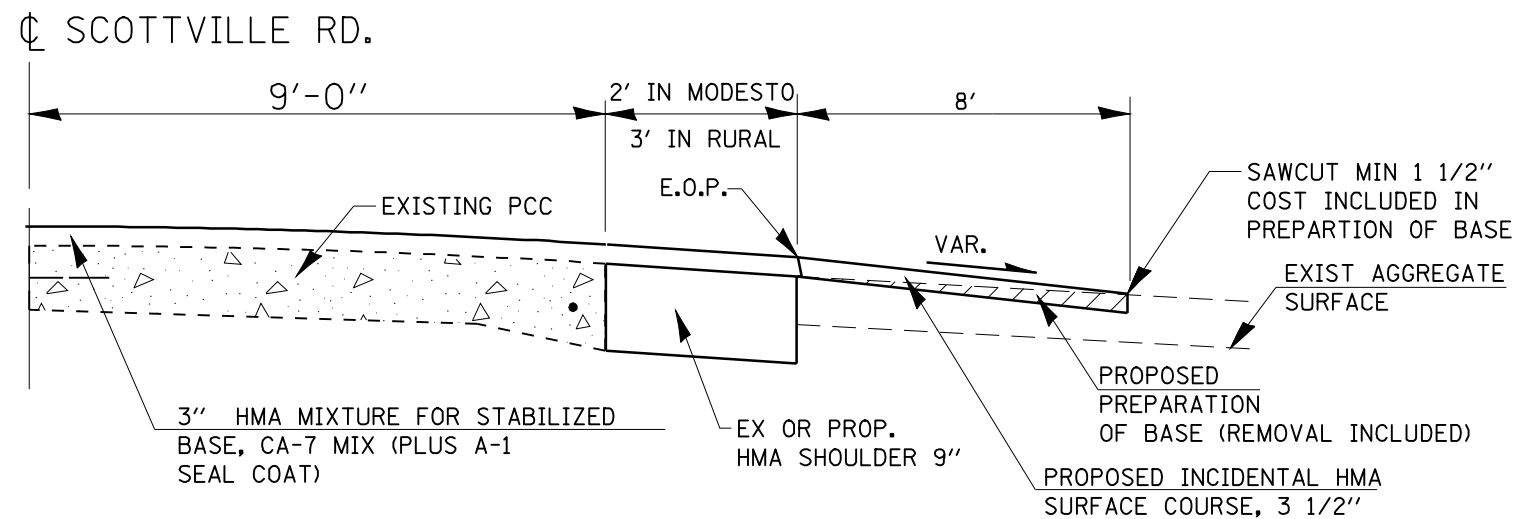


EXISTING AGGREGATE ENTRANCES AND SIDEROADS

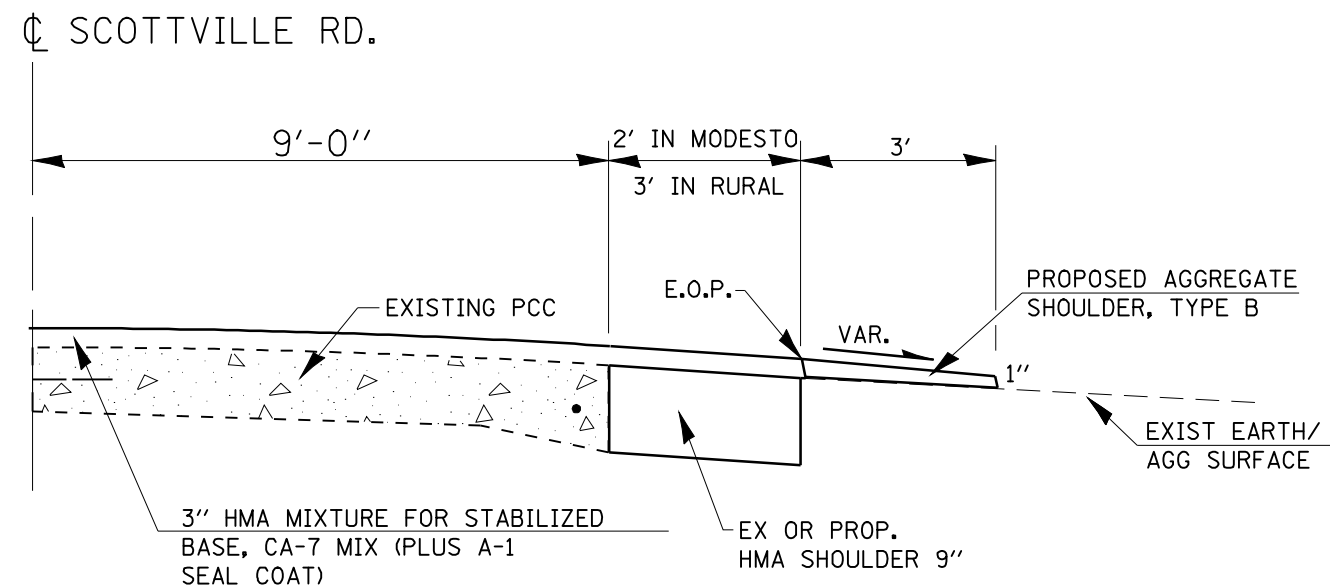


EXISTING OIL/ CHIP SIDEROADS

NOTE:
REMOVAL OF OIL/CHIP MATERIAL
IS INCLUDED IN THE COSTS FOR
PROPOSED HMA SURFACE TREATMENT.



EXISTING HMA P.E. ENTRANCES



EXISTING EARTH / AGGREGATE FIELD ENTRANCES

FILE NAME =	USER NAME = laughlinr1	DESIGNED -	REVISED -	STATE OF ILLINOIS DEPARTMENT OF TRANSPORTATION	SIDEROAD/ENTRANCE DETAIL				F.A.S. RTE.	SECTION	COUNTY	TOTAL SHEETS	SHEET NO.
es:\pwwork\pwwid\LAUGHLINRL\0190078\0672045-sht-details.dgn		DRAWN -	REVISED -		731	(1)1-3	MACOUPIN	18	17				
PLOT SCALE = 30.0000 ' / IN.		CHECKED -	REVISED -						CONTRACT NO. 72D45				
PLOT DATE = Apr-08-2010 11:59:27AM		DATE -	REVISED -		SCALE:	SHEET NO.	OF SHEETS	STA.	TO STA.	ILLINOIS FED. AID PROJECT			