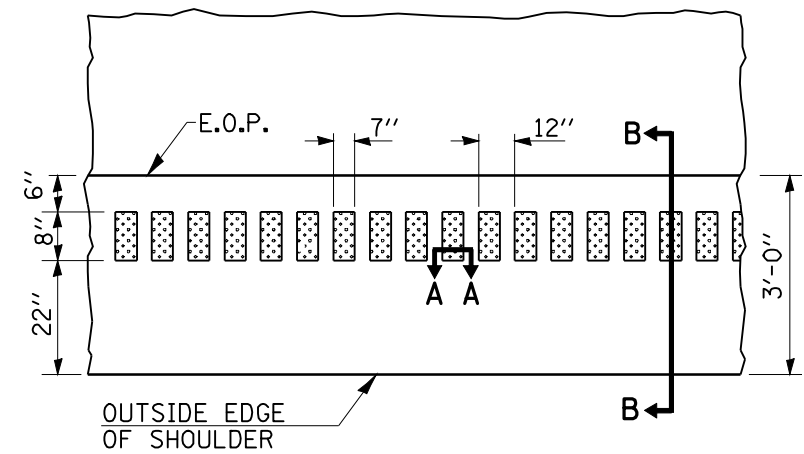
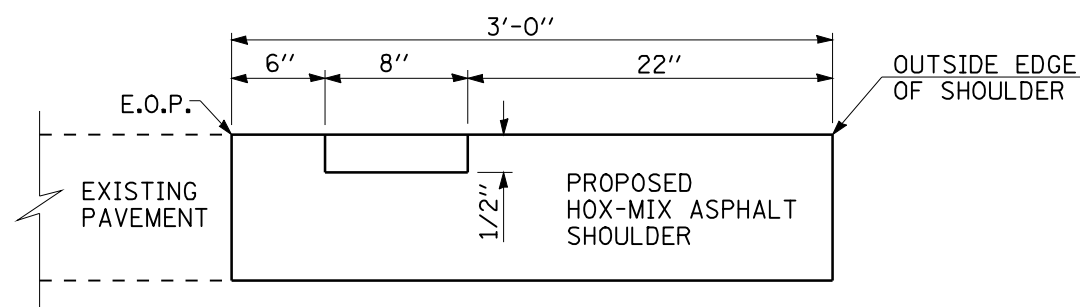


**TAPER DETAIL FOR PROPOSED HOT-MIX ASPHALT SHOULDERS**

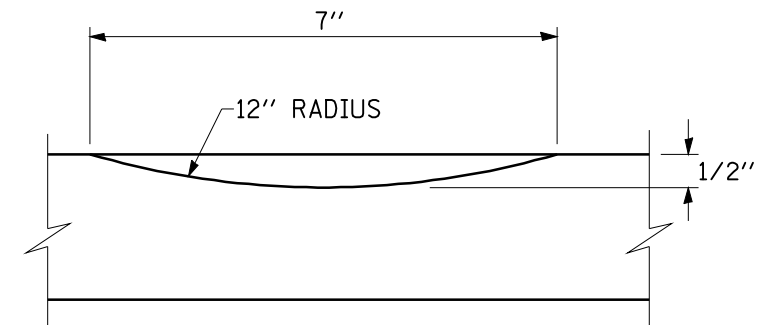
(TRANSITION WIDTH FOR PROPOSED HMA SHOULDERS FROM 1'-0" TO 3'-0" WITHIN 10'-0")  
(IF APPLICABLE)



**PLAN VIEW**



**SECTION B-B**



**SECTION A-A**

FILE NAME =	USER NAME = laughlinr1	DESIGNED -	REVISED -	<b>STATE OF ILLINOIS DEPARTMENT OF TRANSPORTATION</b>	<b>RUMBLE STRIP DETAIL F.A.P. 315 (US 136)</b>			F.A.P. RTE.	SECTION	COUNTY	TOTAL SHEETS	SHEET NO.
er:\pwork\pwork\LAUGHLINRL\0182895\0672D61-shd-detail.dgn	DRAWN -	REVISED -	315					(7,B)-I & (11)-1, (21)-2	MASON	34	34	
PLOT SCALE = 100.0000' / IN.	CHECKED -	REVISED -	CONTRACT NO. 72D61									
PLOT DATE = Mar-25-2010 12:14:29PM	DATE -	REVISED -	ILLINOIS FED. AID PROJECT									
				SCALE:	SHEET NO.	OF SHEETS	STA.	TO STA.				