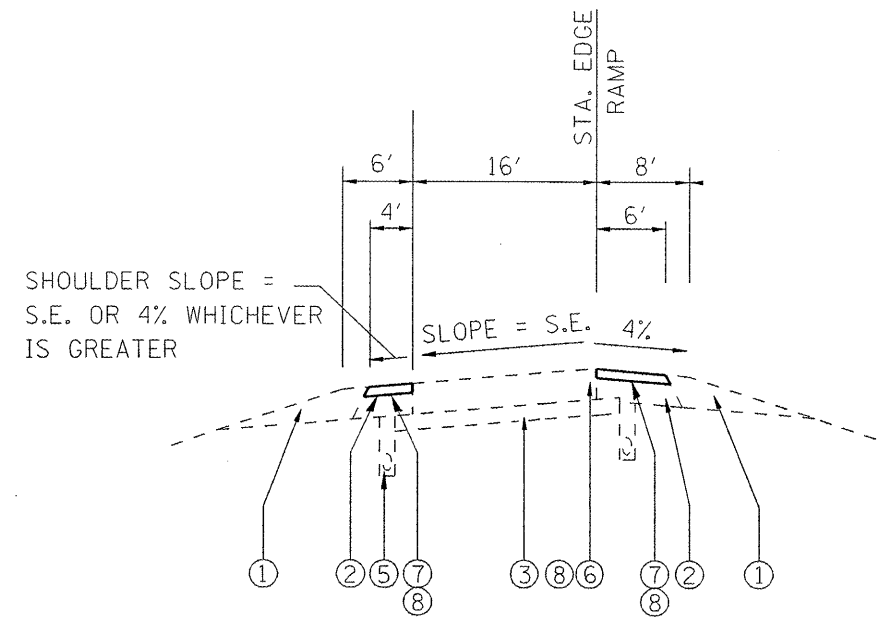
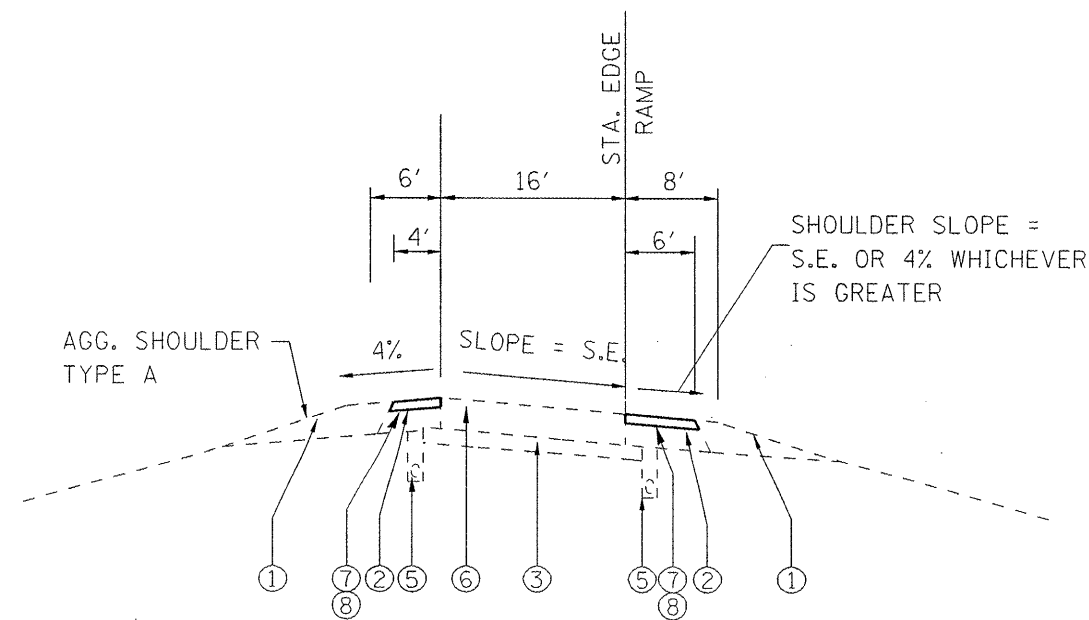


- ① EXISTING AGGREGATE SHOULDERS TYPE A
- ② EXISTING 8" STABILIZED SHOULDER STANDARD 2237
- ③ EXISTING 4" STABILIZED SUB-BASE ON EARTH BASE
- ④ EXISTING 8" C.R.P.C.C. PAVM'T STANDARD 2224
- ⑤ EXISTING SUB-SURFACE DRAIN STANDARD 2327
- ⑥ EXISTING 8" STANDARD REINF. P.C. CONC. PAVEMENT
- ⑦ PROPOSED HMA SURFACE REMOVAL, 1 1/2"
- ⑧ PROPOSED HMA SHOULDERS, 1 1/2"
- ⑨ PROPOSED RUMBLE STRIP, PER STANDARD 642001-01



TYPICAL CROSS SECTION OF RAMP
SUPER ELEVATED LEFT



TYPICAL CROSS SECTION OF RAMP
SUPER ELEVATED RIGHT

RAMP C (NE) AND RAMP D (SE)
STA 1+90 TO STA 19+25 (RAMP C)
STA 0+00 TO STA 15+00 (RAMP D)

| | | | | | | | | | | | | | |
|--|------------------------|------------|-----------|---|---|-------|-------|---|--------------------|---------|--------|--------------|-----------|
| FILE NAME = | USER NAME = laughlinr1 | DESIGNED - | REVISED - | STATE OF ILLINOIS DEPARTMENT OF TRANSPORTATION | TYPICAL SECTION | | | | F.A.I. RTE. | SECTION | COUNTY | TOTAL SHEETS | SHEET NO. |
| es:\pwwork\pwidot\LAUGHLINR1\08187297\672069-sht-typic01.dgn | | DRAWN - | REVISED - | | 72 | 85-9I | SCOTT | 6 | 6 | | | | |
| PLOT SCALE = 20.0000' / IN. | | CHECKED - | REVISED - | | SCALE: SHEET NO. OF SHEETS STA. TO STA. | | | | CONTRACT NO. 72069 | | | | |
| PLOT DATE = Mar-23-2010 01:40:37PM | | DATE - | REVISED - | | ILLINOIS FED. AID PROJECT | | | | | | | | |