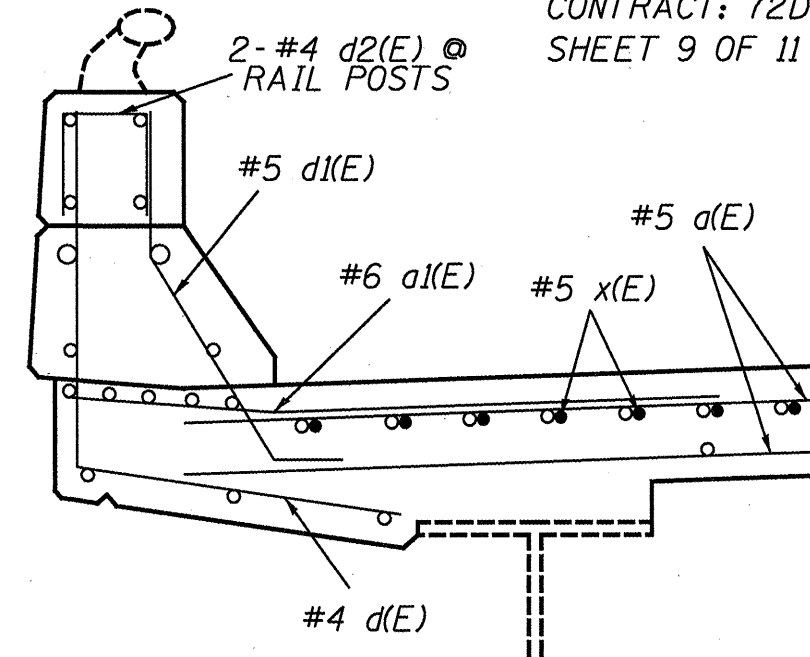
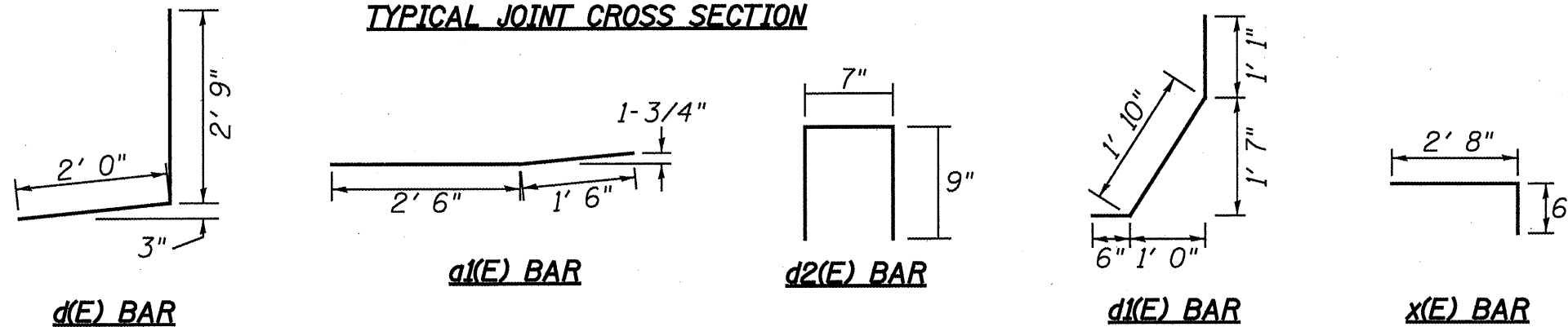


* PIER 2 - 1-1/2" @ 50°
PIER 5 - 2-1/2" @ 50°

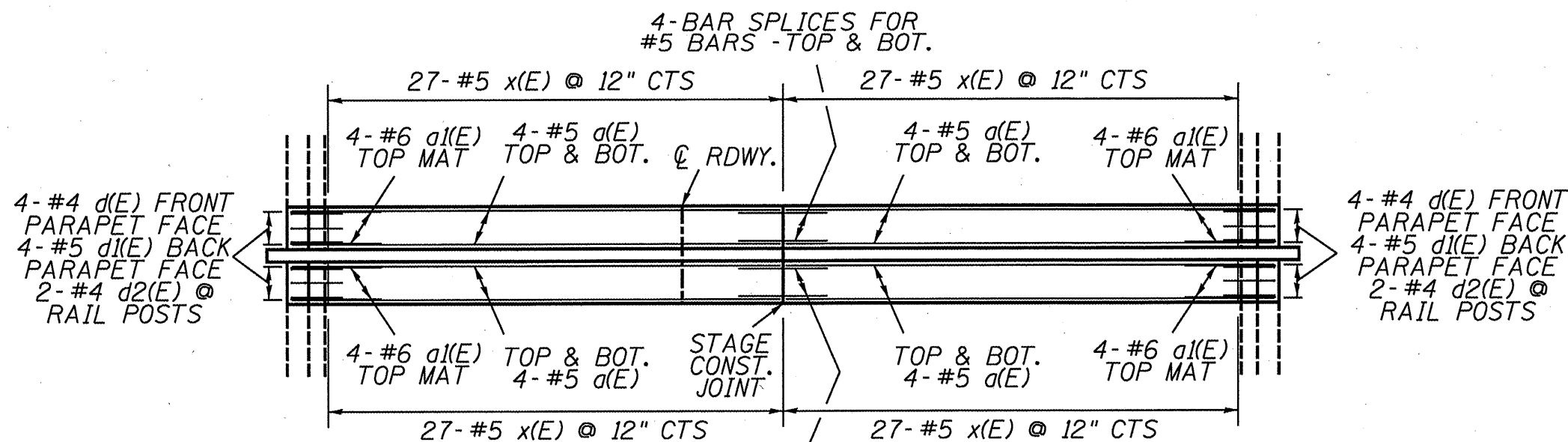


TYPICAL PARAPET CROSS SECTION

TYPICAL JOINT CROSS SECTION



BILL OF MATERIAL (4 JOINTS)				
BAR	#	SIZE	LENGTH	SHAPE
a(E)	64	#5	27' 10"	—
a1(E)	32	#6	4' 0"	—
d(E)	32	#4	4' 9"	J
d1(E)	32	#5	3' 5"	J
d2(E)	8	#4	2' 1"	Π
x(E)	216	#5	3' 2"	—
REINFORCEMENT BARS EPOXY COATED			2990 LB	
#5 BAR SPLICERS			32 EACH	
CONC. SUPERSTRUCTURE			27 CU YD	



4-BAR SPLICES FOR #5 BARS - TOP & BOT.

TYPICAL JOINT PLAN

CONCRETE REMOVAL DETAILS
SN 054-0041
EXP. JT. REPLACEMENT
LOGAN COUNTY