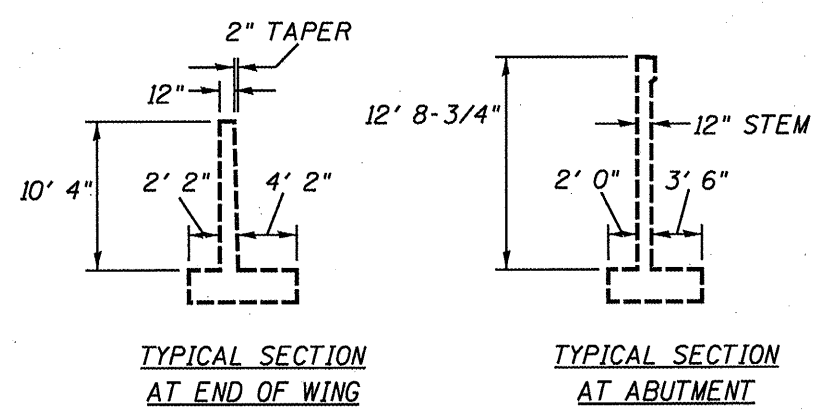


TYPICAL ABUTMENT PLAN

BRIDGE PLAN

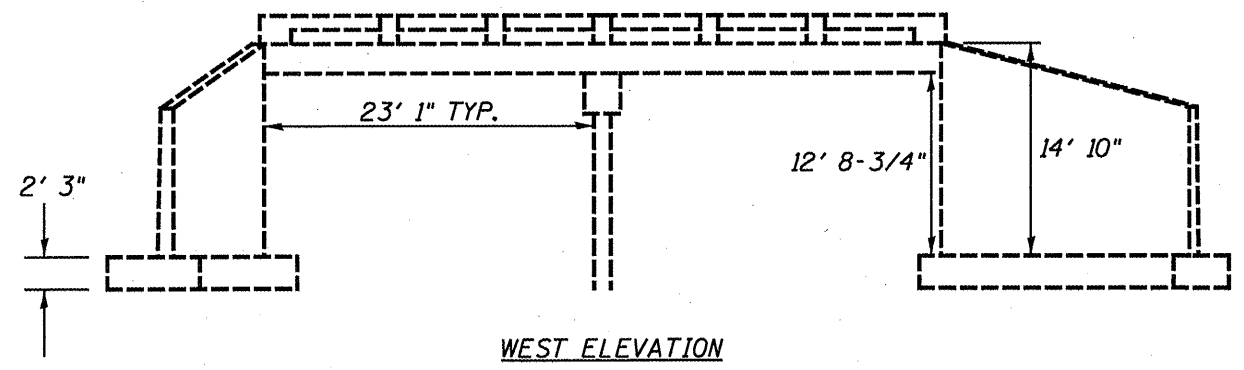
PIER END SECTION

PIER ELEVATION



TYPICAL SECTION AT END OF WING

TYPICAL SECTION AT ABUTMENT



WEST ELEVATION

063-0005 PLAN & ELEVATION
FAS 572 (IL 10)
D6 RIPRAP PROTECTION 2010
MASON COUNTY