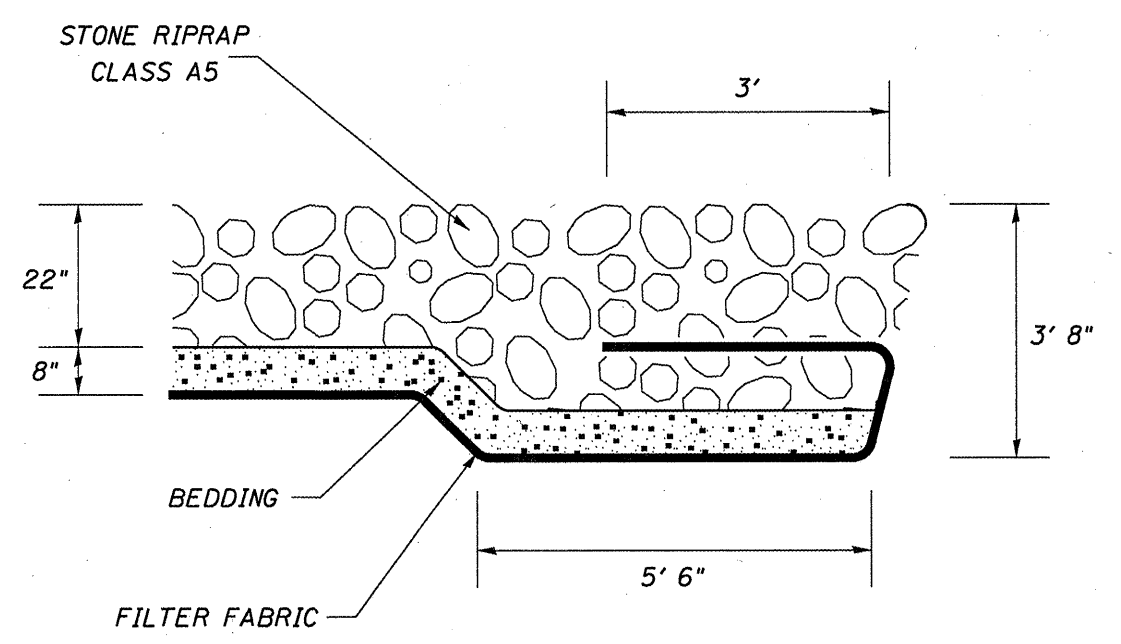


| BILL OF MATERIAL (085-0026) | |
|-----------------------------|----------|
| STONE RIPRAP, CLASS A5 | 90 SQ YD |



NOTES:

THE TOP OF RIPRAP SHALL MATCH THE EXISTING STREAMBED.

THE RIPRAP TOE DETAIL SHALL BE USED AROUND ALL EDGES OF THE RIPRAP AREA THAT ARE NOT ADJACENT TO THE EXISTING BRIDGE.

IN AREAS WHERE EXISTING AND PROPOSED RIPRAP AREAS INTERSECT, THE PROPOSED RIPRAP SHALL BE OVERLAID ON TOP OF THE EXISTING RIPRAP. NO EXCAVATION, BEDDING MATERIAL, OR FILTER FABRIC SHALL BE REQUIRED IN THESE AREAS. THE FINISHED SURFACE SHALL BE BLENDED INTO THE ADJACENT EXISTING RIPRAP. THE DEPTH OF PROPOSED RIPRAP IN THESE AREAS SHALL BE AS DIRECTED BY THE ENGINEER, BUT SHALL NOT EXCEED 22". THESE AREAS WILL BE PAID FOR BY THE SQUARE YARD AT THE BID PRICE FOR STONE RIPRAP, CLASS A5.

085-0026 RIPRAP PLAN
FAP 713 (IL 101)
D6 RIPRAP PROTECTION 2010
SCHUYLER COUNTY